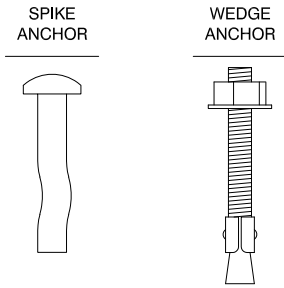


**TOOLS & MATERIALS REQUIRED**

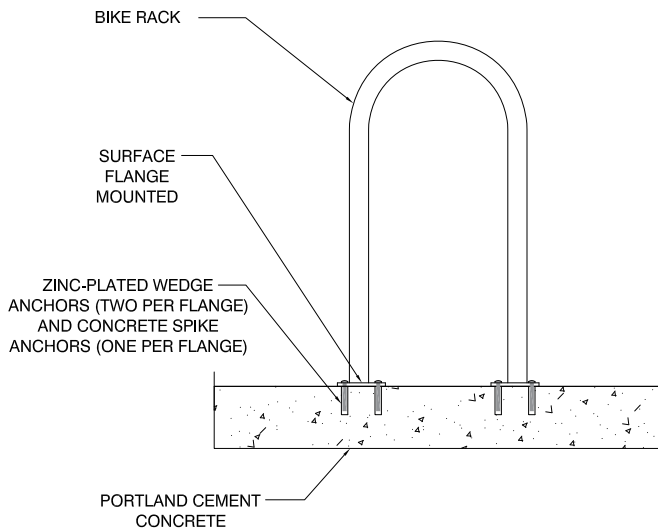
- Inverted U or circle rack (single-loop, surface mount flange )
- Zinc plated wedge anchors, 1/2" x 3 3/4"
- Zinc concrete spike anchors, 1/2" x 2 3/4"
- Rotor hammer drill (1/2" chuck capacity, contractor grade suggested)
- 1/2" masonry drill bit
- Small sledgehammer
- 3/4" socket wrench or wrench driver
- Vacuum or compressed air
- Loctite 262 Mil Spec High Strength Red Threadlocker ("Loctite")



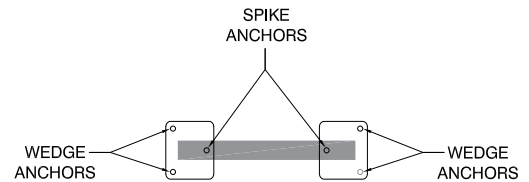
**INSTALLATION INSTRUCTIONS**

1. Place rack in location marked with white dots; read installation notes for particular location.
2. With rotor hammer drill outfitted with 1/2" drill bit, mark hardware location through all mounting holes.
3. Move rack away. Drill all holes at least 3 1/2" deep. Remove dust in holes.
4. Pound the wedge anchor fasteners in the outer corner holes. The fasteners should protrude 7/8" above the concrete.
5. Place the rack over the fasteners. Put the washers and nuts on them. Apply Loctite to the exposed threads. Cinch tight with appropriate 3/4" wrench.
6. Pound the concrete spike anchors into the remaining inner holes of the rack.
7. Before the Loctite sets (no more than 10 minutes) tighten the wedge anchors one last time after pounding in the concrete spike anchors.
8. Cut off any length of the wedge anchor protruding more than 1/2" above the nut. If the remaining edge is sharp, file off sharp edges, or apply a dollop of epoxy to the top of the nut.
9. Adhere funder stickers to the top of the rack (unless otherwise specified).

**INSTALLATION DIAGRAM**



**HARDWARE PLACEMENT**



**CITY OF OAKLAND**

DEPARTMENT OF TRANSPORTATION  
 BICYCLE & PEDESTRIAN PROGRAM  
 250 FRANK H. OGAWA PLAZA, SUITE 4344 \* OAKLAND CA, 94612  
 (510) 238-3466 \* FAX (510) 238-7415

**INSTALLATION INSTRUCTIONS:  
 CONCRETE SURFACES  
 SHEET 5 OF 6**

**BICYCLE RACK  
 GUIDELINES**

SCALE: NOT TO SCALE

DWG. NO.

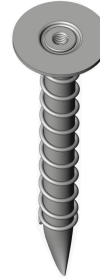
BR-5

DATE: FEB 2018

## TOOLS & MATERIALS REQUIRED

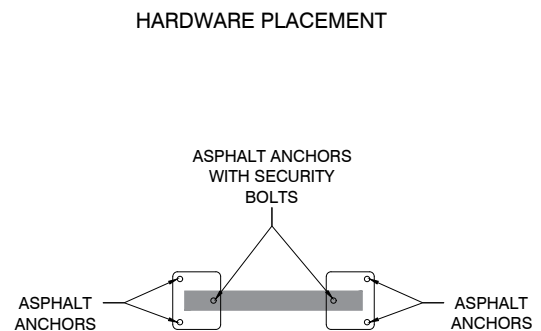
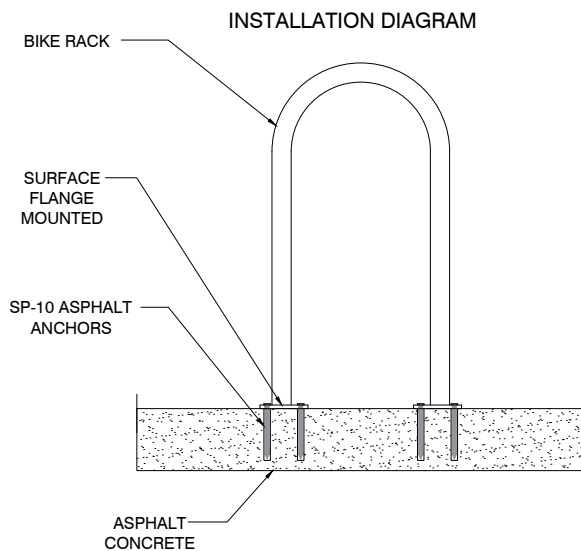
- Inverted U or circle rack (single-loop, surface mount flange)
- EPX2 grout, ½ bag per hole - SEE USER'S GUIDE
- Water
- 3/8" SP10 asphalt anchors, one per hole, with bolts and washers
- 3/8" x 2" Security bolts, four per rack
- Security bolt socket & socket wrench
- Masonry drill bit, 6" x 7/8"
- Rotor hammer drill (7/8" chuck capacity contractor grade suggested)
- Vacuum or compressed air
- Loctite 262 Mil Spec High Strength Red Threadlocker ("Loctite")

SP-10  
ASPHALT  
ANCHOR



## INSTALLATION INSTRUCTIONS

1. Place rack in location marked with white dots; read installation notes for particular location.
2. With rotor hammer drill outfitted with 7/8" drill bit, mark hardware location through all mounting holes.
3. Move rack away. Drill all holes 6" deep, perpendicular to ground surface. Remove dust in holes.
4. Protect the anchors' thread using the supplied bolt and washer. Hand tighten.
5. Mix the grout with water per the manufacturer's instructions. The grout should flow so that it can fill in the crevices in the ground around the anchor, but not be too liquid else it will be soaked into the ground.
6. Using the bag as a dispenser, apply the EPX2 grout to the hole, filling it to the top. Allow the grout to flow; refill if necessary.
7. Using a hammer, gently drive the anchor into the ground until the bottom of its washer is flush with the ground.
8. As you lower the anchor, make sure that the grout is visible all the way to the top. Add grout if required.
9. Once the anchor is in place, wash the surface of the roadway to remove the excess grout. (Once the grout hardens, it will be practically impossible to remove the excess grout.)
10. Allow the grout to harden for about 20 minutes.
11. Mount the rack and secure with washer and bolt to the anchor. Do not exceed the torque allowed for bolt tightening, 200 lbs per inch, per manufacturer's recommendations.
12. Replace four of the supplied bolts with security bolts as shown below.
13. Apply Loctite to all bolts prior to final tightening.
14. DO NOT SUBJECT THE INSTALLATION TO FULL LOAD FOR 2 HOURS, to allow grout to cure.
15. Adhere funder stickers to the top of the rack (unless otherwise specified).



**CITY OF OAKLAND**

DEPARTMENT OF TRANSPORTATION  
BICYCLE & PEDESTRIAN PROGRAM  
250 FRANK H. OGAWA PLAZA, SUITE 4344 \* OAKLAND CA, 94612  
(510) 238-3466 \* FAX (510) 238-7415

**INSTALLATION INSTRUCTIONS:  
ASPHALT SURFACES  
SHEET 6 OF 6**

**BICYCLE RACK  
GUIDELINES**

SCALE: NOT TO  
SCALE

DWG. NO.

BR-6

DATE: FEB 2018