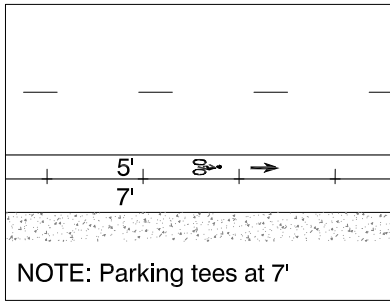
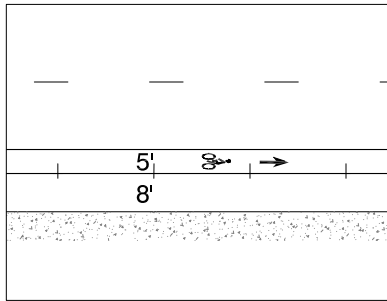


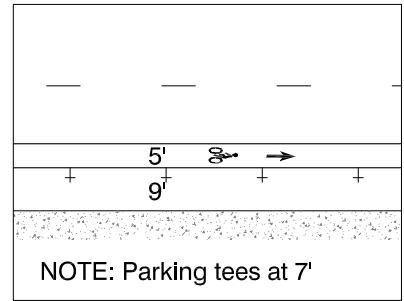
12' WIDTH



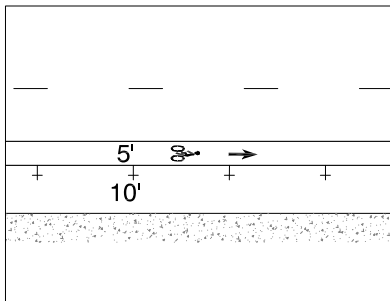
13' WIDTH



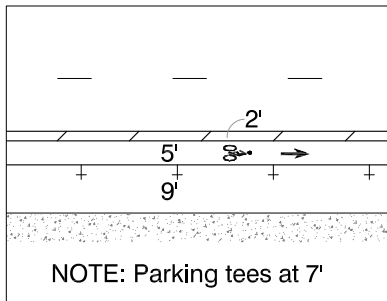
14' WIDTH



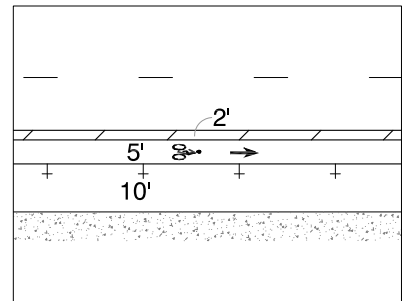
15' WIDTH



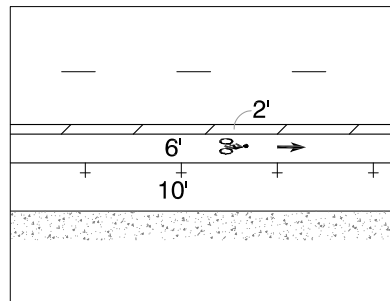
16' WIDTH



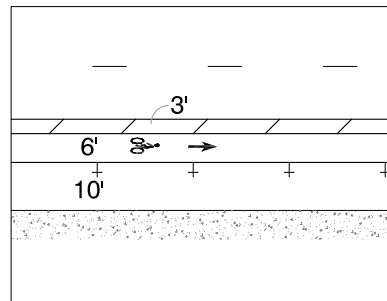
17' WIDTH



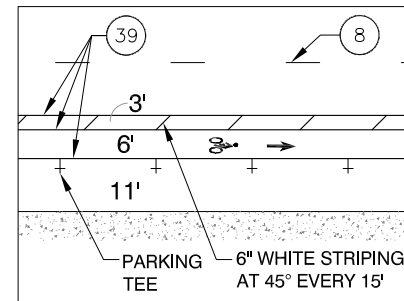
18' WIDTH



19' WIDTH



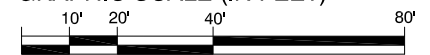
20' WIDTH



NOTES

Parking tees at 8' from face-of-curb, except in 12', 14', 16', & 20' configurations.
See parking tee detail (T-7).

GRAPHIC SCALE (IN FEET)



CITY OF OAKLAND

BUREAU OF ENGINEERING AND CONSTRUCTION
BICYCLE FACILITIES PROGRAM
250 FRANK H. OGAWA PLAZA, SUITE 4344 * OAKLAND CA, 94612
(510) 238-3466 * FAX (510) 238-7415

BIKE LANE AND
BUFFER WIDTHS
(METERED PARKING)

CROSS-SECTION
DETAILS

SCALE: 1" = 40'

DWG. NO.

DATE: DEC 2015

C-2