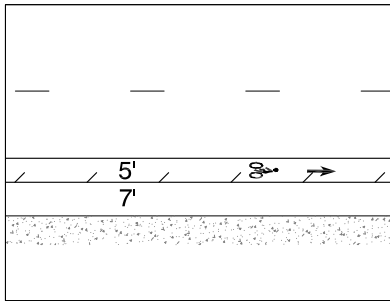
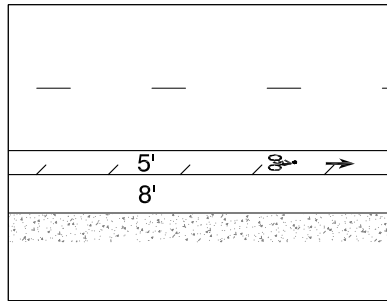


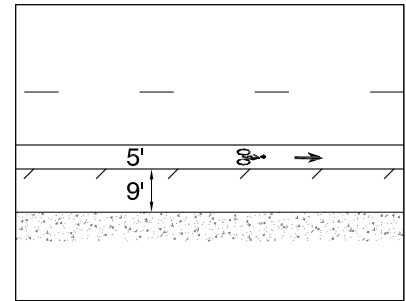
12' WIDTH



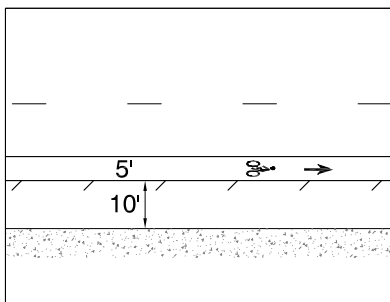
13' WIDTH



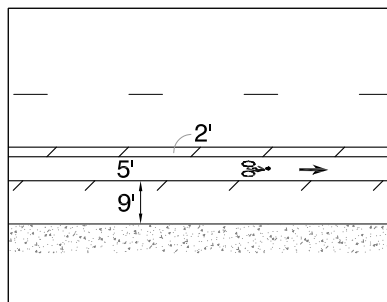
14' WIDTH



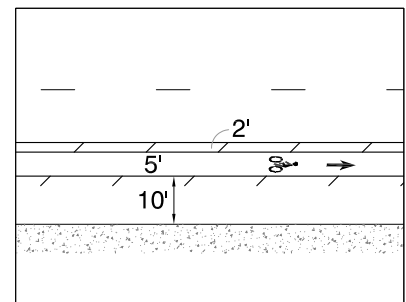
15' WIDTH



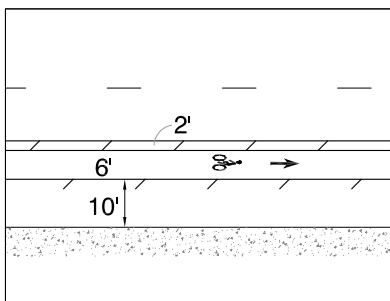
16' WIDTH



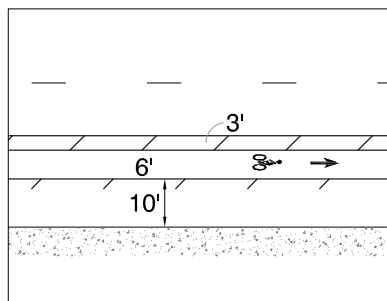
17' WIDTH



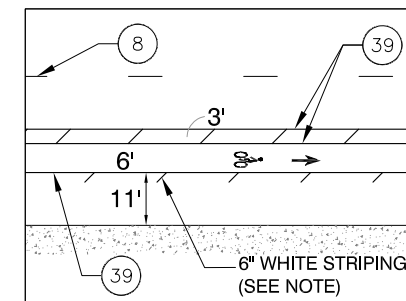
18' WIDTH



19' WIDTH

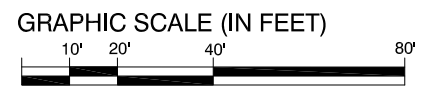


20' WIDTH



NOTES

Parking side buffer striping at 45° every 15'. The parking side buffer striping is 2' in width, measured perpendicular to curb line. The length of each parking side diagonal buffer stripe is approximately 3'.



CITY OF OAKLAND

BUREAU OF ENGINEERING AND CONSTRUCTION
 BICYCLE FACILITIES PROGRAM
 250 FRANK H. OGAWA PLAZA, SUITE 4344 * OAKLAND CA, 94612
 (510) 238-3466 * FAX (510) 238-7415

BIKE LANE AND
 BUFFER WIDTHS
 (NON-METERED PARKING)

CROSS-SECTION
 DETAILS

SCALE: 1" = 40'

DWG. NO.

DATE: DEC 2015

C-1