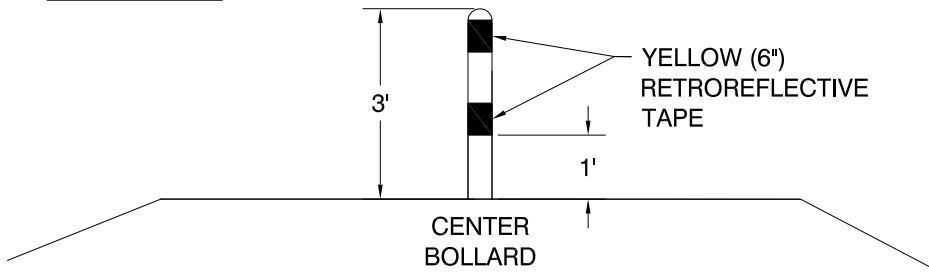


SECTION VIEW



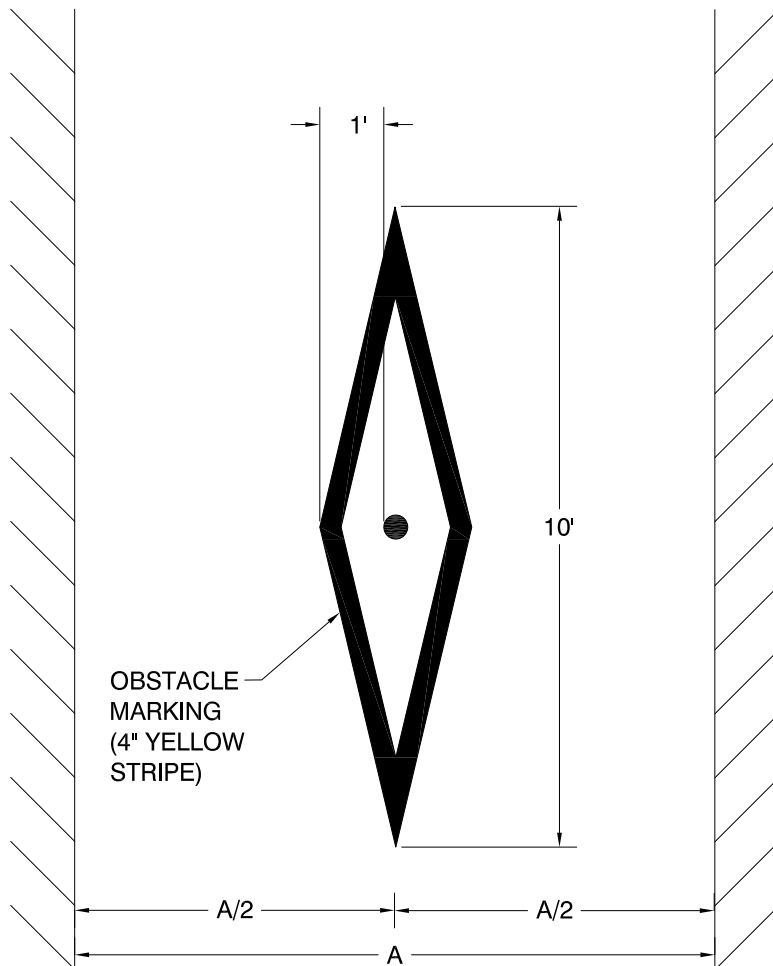
MUTCD Section 9C.101(CA) Barrier Posts on Class I Bikeways

Support: Before a decision is made to install barrier posts, consideration needs to be given to the implementation of other remedial measures, such as Bike Path Exclusion (R44A(CA)) signs (see Section 9B.08) and/or redesigning the path entry so that motorists do not confuse it with vehicle access.

Guidance: Such devices should be used only where extreme problems are encountered.

Oakland Standard: Removable bollards shall have a mount point that is flush with the travel surface.

PLAN VIEW



NOT TO SCALE



CITY OF OAKLAND

BUREAU OF ENGINEERING AND CONSTRUCTION
 BICYCLE FACILITIES PROGRAM
 250 FRANK H. OGAWA PLAZA, SUITE 4344 * OAKLAND CA, 94612
 (510) 238-3466 * FAX (510) 238-7415

**BOLLARD PLACEMENT
 AND MARKINGS:
 CENTER BOLLARD**

**BICYCLE PATH
 DETAILS**

SCALE: NTS

DWG. NO.

DATE: DEC 2015

P-1