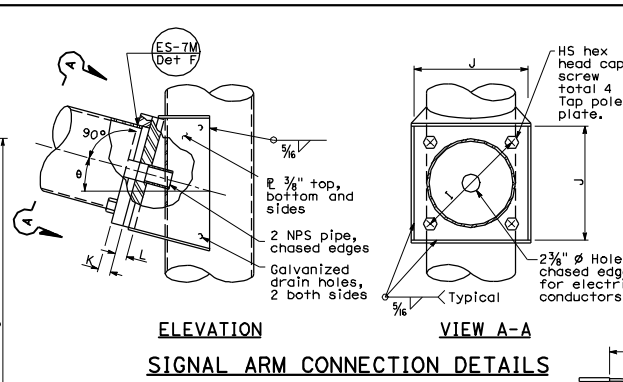


ELEVATION
TYPE 28-5-100



ELEVATION
TYPE 29-5-100,
29A-5-100

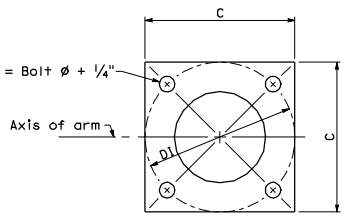
DIST	COUNTY	ROUTE	POST MILES	SHEET TOTAL
			TOTAL PROJECT	NO. SHEETS

November 17, 2006
PLANS APPROVAL DATE

REGISTERED CIVIL ENGINEER
Stanley P. Janson
No. CS1793
Exp. 03-31-08
CIVIL
STATE OF CALIFORNIA

To accompany plans dated _____

M Projected Length	N Rise	Min OD at Pole	Thickness	P Mounting Height
6'-0"	2'-0"±	3 1/4"	0.1196"	30'-0" Pole
8'-0"	2'-6"±	3 1/2"		31'-6"±
10'-0"	3'-3"±	3 3/8"		32'-0"±
12'-0"	4'-3"±	3 7/8"		32'-9"±
15'-0"	4'-9"±	4 1/4"		33'-9"±
				35'-0" Pole
				36'-6"±
				37'-0"±
				37'-9"±
				38'-9"±
				39'-3"±



BASE PLATE

E Projected Length	F Min Spacing	G Mounting Height	H	Min OD at Pole	Thickness	I Bolt Circle	HS Cap Screws	J Plate Size	K Arm Thickness	L Pole Thickness	θ	Q Section Length	Q Section Thickness	X Max
50'-0"	15'-0"	23'-7 1/2" to 25'-7 1/2"±	16'-0"	11 1/8"	0.1793"	16"	1 1/2"-6NC-3 1/4"	1'-4"	1 3/4"	1 3/4"	15°	18'-0"	0.2391"	14'-0"
55'-0"				17'-0"								23'-0"		

Pole Type	Load Case	Wind Velocity mph	POLE DATA				BASE PLATE DATA				Luminaire Arm	Signal Arm	CIDH PILE FOUNDATION								
			A Height	Min Base	Min OD	Thickness	Alternative Section B Length	Section Bottom	Section Top	C			DI Bolt Circle	Thickness	Anchor Bolts Size	Dia	Depth	Reinforced			
28-5-100	5	100	17'-0"	14"	11 1/8"	0.3125"	None	11 1/4"	9 3/8"	21"	21"	1 3/4"	2" Ø x 42" x 6"	None	50'-0"	3'-0"	9'-2"	Yes			
29-5-100			30'-0"	14"	9 3/8"		10'-0"		9 3/8"	23"	23"								6'-15"	15'-0"	55'-0"
29A-5-100			35'-0"	14"	9 3/8"		15'-0"		9 3/8"	23"	23"								6'-15"	15'-0"	55'-0"

□ Indicates arm length to be used unless otherwise noted on plans.

STATE OF CALIFORNIA
DEPARTMENT OF TRANSPORTATION

ELECTRICAL SYSTEMS
(SIGNAL AND LIGHTING STANDARD
CASE 5 ARM LOADING
WIND VELOCITY=100 MPH
ARM LENGTHS 50' TO 55')

NO SCALE

RSP ES-7G DATED NOVEMBER 17, 2006 SUPERSEDES STANDARD PLAN ES-7G DATED MAY 1, 2006 - PAGE 443 OF THE STANDARD PLANS BOOK DATED MAY 2006.

REVISED STANDARD PLAN RSP ES-7G