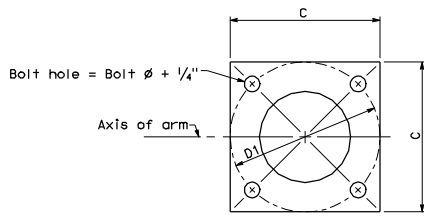
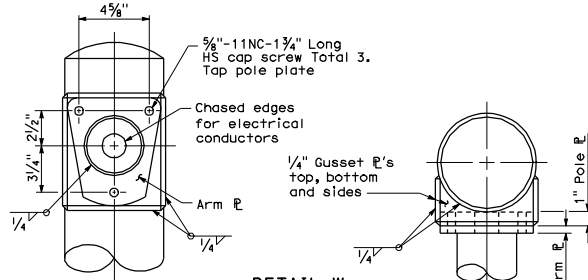


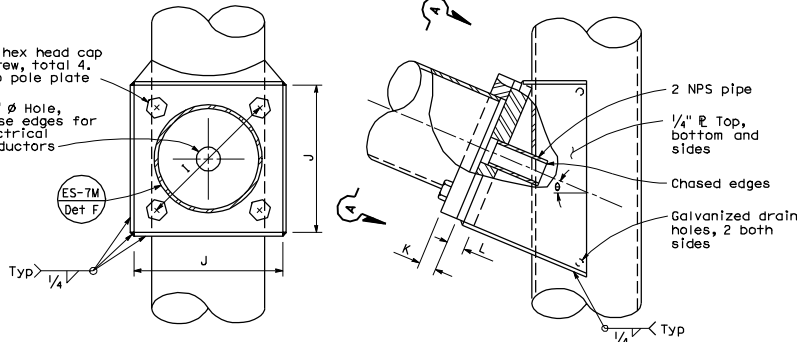
ELEVATION
TYPE 16-1-100, 18-1-100



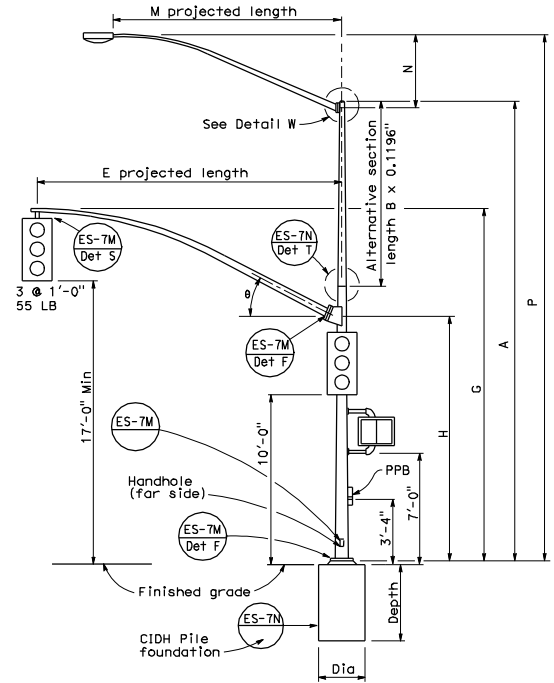
BASE PLATE



DETAIL W
LUMINAIRE ARM CONNECTION



VIEW A-A
SIGNAL ARM CONNECTION DETAILS



ELEVATION
TYPE 19-1-100, 19A-1-100

E Projected Length	G Mounting Height	H	Min OD At Pole	Thickness	I Bolt Circle	HS Cap Screws	J Plate size	K Arm R Thickness	L Pole R Thickness	θ
15'-0"	21'-8"±	17'-6"	7"	0.1196"	12"	1 1/4"-7NC-3"	1'-0"	1 1/4"	1 1/2"	23°
20'-0"	21'-8"±	7 7/8"								
25'-0"	22'-8"±	7 5/8"								
30'-0"	23'-0"±	8"								

M Projected Length	N Rise	Min OD at Pole	Thickness	P Mounting Height
6'-0"	2'-0"±	3 1/4"	0.1196"	30'-0" Pole
8'-0"	2'-6"±	3 1/2"		35'-0" Pole
10'-0"	3'-3"±	3 3/8"		31'-6"±
12'-0"	4'-3"±	3 7/8"		36'-6"±
15'-0"	4'-9"±	4 1/4"	32'-0"±	37'-0"±
			32'-9"±	37'-9"±
			33'-9"±	38'-9"±
			34'-3"±	39'-3"±

Pole Type	Load Case	Wind Velocity mph	POLE DATA				BASE PLATE DATA				CIDH PILE FOUNDATION											
			A Height	Min OD		Thickness	Alternative Section			C	D1 Bolt Circle	Thickness	Anchor Bolts Size	Luminaire Arm	Signal Arm	Diameter	Depth	Reinforced				
				Base	Top		B Length	Bottom	Top													
16-1-100	1	100	18'-6"	10 3/4"	0.1793"	None	8 1/4"	1'-6"	1'-5 1/2"	1 1/4"	1 1/2" ø x 42" x 6"	None	None	15'-0"	20'-0"	2'-6"	7'-2"	Yes				
18-1-100			17'-0"			8 7/8"	None												8"	5 5/8"		
19-1-100			30'-0"			6 5/8"	10'-0"														6'-15' [12'-0"]	25'-0"
19A-1-100			35'-0"			5 5/8"	15'-0"															

□ Indicates arm length to be used unless otherwise noted on plans.

DIST	COUNTY	ROUTE	POST MILES TOTAL PROJECT	SHEET NO.	TOTAL SHEETS

Stanley P. Johnson
REGISTERED CIVIL ENGINEER

June 15, 2007
PLANS APPROVAL DATE

Stanley P. Johnson
REGISTERED PROFESSIONAL ENGINEER
No. CS1793
Exp. 3-31-08
CIVIL
STATE OF CALIFORNIA

The State of California or its officers or agents shall not be responsible for the accuracy or completeness of electronic copies of this plan sheet.

STATE OF CALIFORNIA
DEPARTMENT OF TRANSPORTATION

ELECTRICAL SYSTEMS
(SIGNAL AND LIGHTING STANDARD
CASE 1 ARM LOADING
WIND VELOCITY = 100 MPH
ARM LENGTHS 15' TO 30')

NO SCALE
RSP ES-7C DATED JUNE 15, 2007 SUPERSEDES STANDARD PLAN ES-7C
DATED MAY 1, 2006 - PAGE 439 OF THE STANDARD PLANS BOOK DATED MAY 2006.

REVISED STANDARD PLAN RSP ES-7C