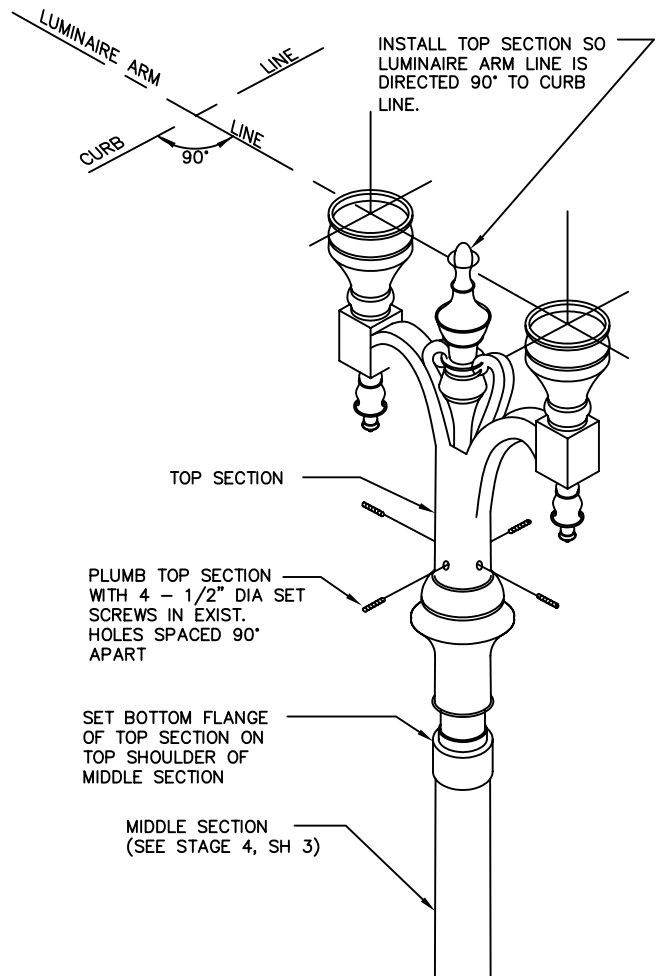


**STAGE 5A**  
INSTALLATION OF EXTENSION



**STAGE 5B**  
INSTALLATION OF TOP SECTION

NOTE: THIS PLAN IS NOT A LEGAL ENGINEERING DOCUMENT BUT AN ELECTRONIC DUPLICATE. THE SIGNED CITY OF OAKLAND STANDARD DETAILS FOR PUBLIC WORKS CONSTRUCTION IS AVAILABLE FOR PURCHASE FROM THE CONTRACT ADMINISTRATION DEPARTMENT.

CITY OF OAKLAND

DESIGN AND CONSTRUCTION SERVICES DEPARTMENT



INSTALLATION OF  
CAST IRON  
ELECTROLIER  
SHEET 4 OF 4

ELECTRICAL SERVICES MANAGER

DATE: FEB 96  
REV. DATE: AUG 99

DRWG.

E-90