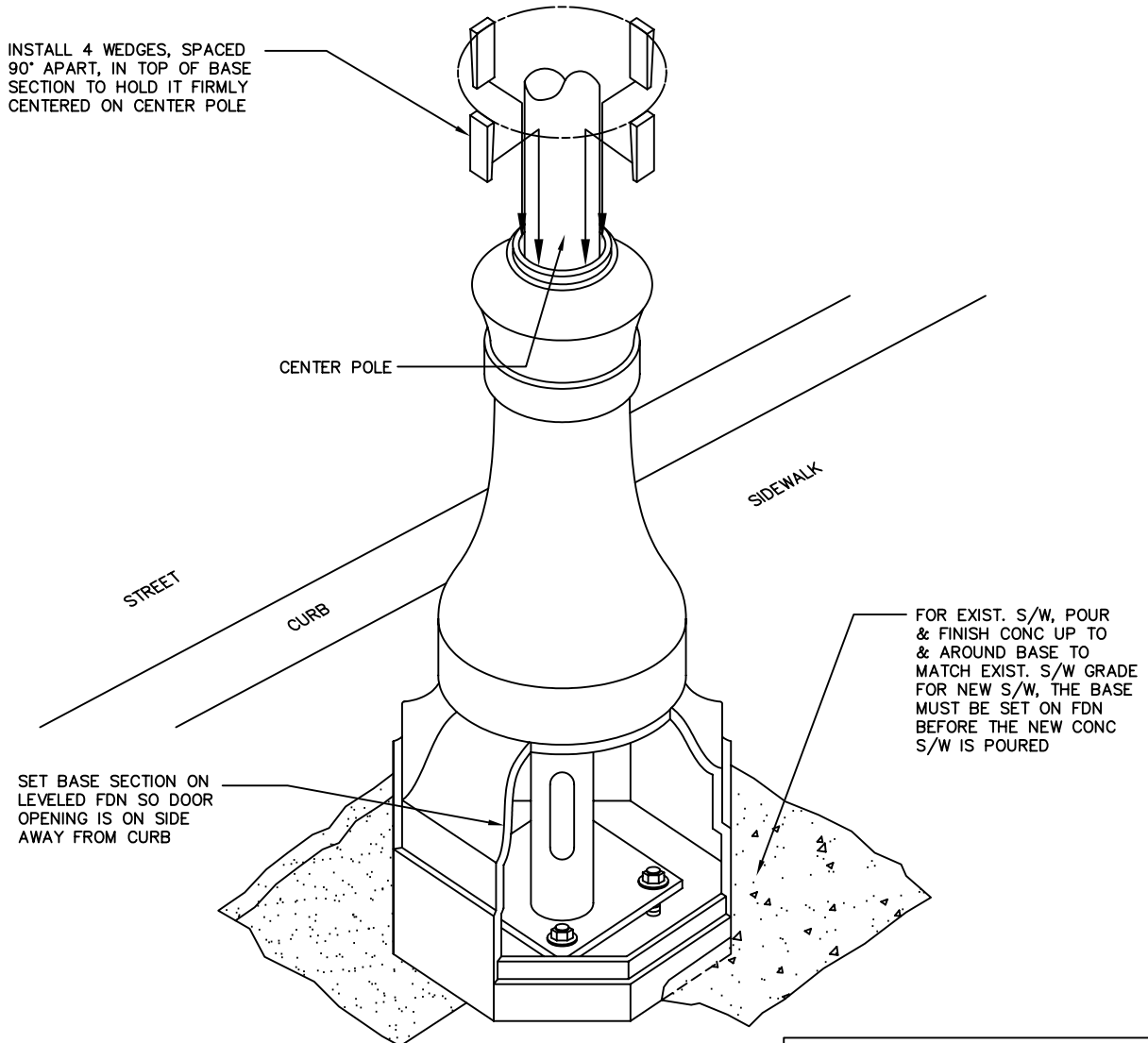


STAGE 2
INSTALLATION OF CENTER POLE



STAGE 3
INSTALLATION OF BASE SECTION

NOTE: THIS PLAN IS NOT A LEGAL ENGINEERING DOCUMENT BUT AN ELECTRONIC DUPLICATE. THE SIGNED CITY OF OAKLAND STANDARD DETAILS FOR PUBLIC WORKS CONSTRUCTION IS AVAILABLE FOR PURCHASE FROM THE CONTRACT ADMINISTRATION DEPARTMENT.

CITY OF OAKLAND

DESIGN AND CONSTRUCTION SERVICES DEPARTMENT



INSTALLATION OF
CAST IRON
ELECTROLIER
SHEET 2 OF 4

ELECTRICAL SERVICES MANAGER

DATE: FEB 96
REV. DATE: AUG 99

DRWG.

E-88