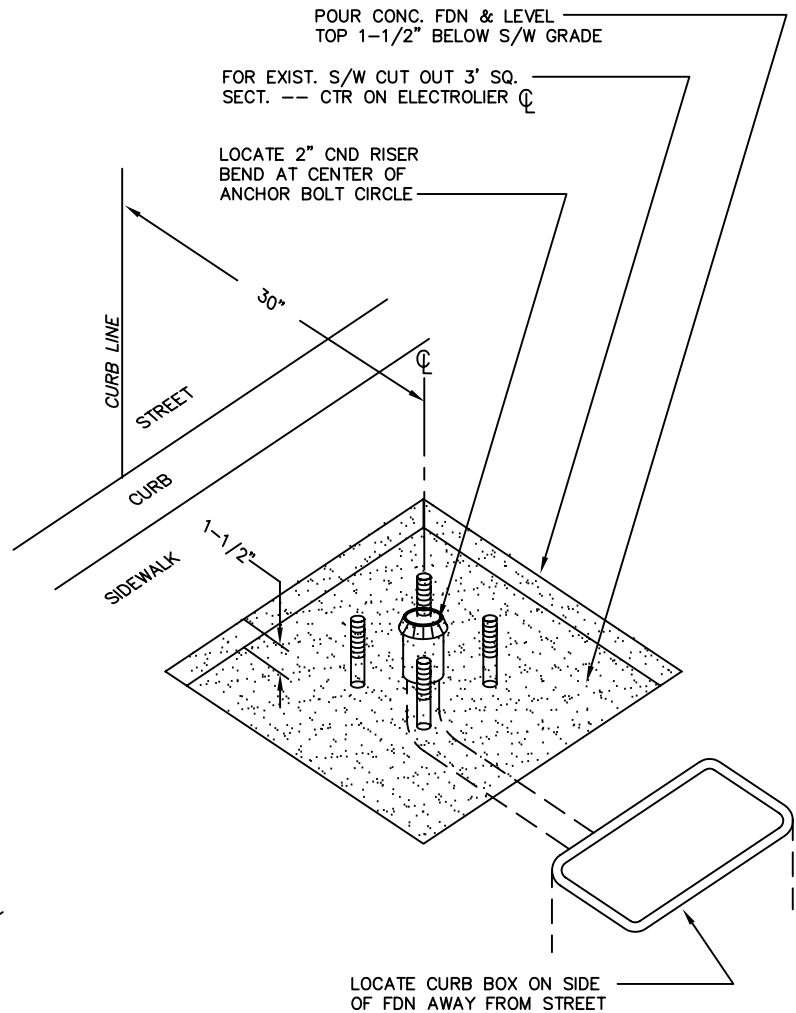


**STAGES OF ASSEMBLY**



NOTE:  
INSTALL FDN, CURB BOX, ANCHOR BOLTS, ETC.  
IN ACCORDANCE WITH DETAILS SHOWN ON  
DWG E-72, E-74.

**STAGE 1**  
**INSTALLATION OF FOUNDATION**

NOTE: THIS PLAN IS NOT A LEGAL ENGINEERING DOCUMENT BUT AN ELECTRONIC DUPLICATE. THE SIGNED CITY OF OAKLAND STANDARD DETAILS FOR PUBLIC WORKS CONSTRUCTION IS AVAILABLE FOR PURCHASE FROM THE CONTRACT ADMINISTRATION DEPARTMENT.

CITY OF OAKLAND

DESIGN AND CONSTRUCTION SERVICES DEPARTMENT



INSTALLATION OF  
CAST IRON  
ELECTROLIER  
SHEET 1 OF 4

ELECTRICAL SERVICES MANAGER

DATE: FEB 96  
REV. DATE: AUG 99

DRWG.

E-87