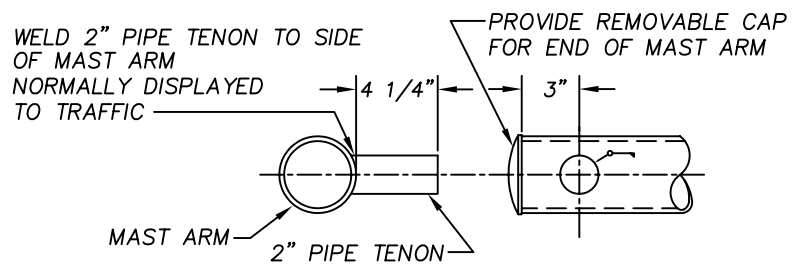
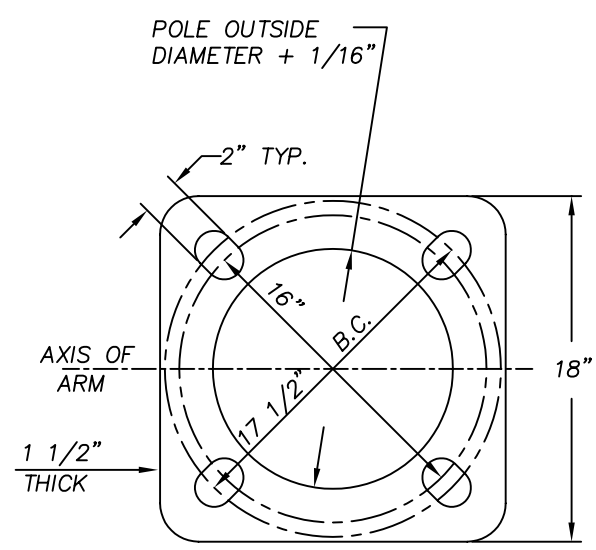


SECTION A-A
SIGNAL ARM CONNECTION DETAILS



DETAIL OF 2" PIPE TENON FOR SIGNAL HEAD MOUNTING



BASE PLATE

NOTE:
 USE FDN. & ANCHOR BOLTS FROM
 CALTRANS STANDARD PLANS, ES-6M
 & ES-6T, FOR POLE TYPE 24-4-80.

NOTE: THIS PLAN IS NOT A LEGAL ENGINEERING DOCUMENT BUT AN ELECTRONIC DUPLICATE. THE SIGNED CITY OF OAKLAND STANDARD DETAILS FOR PUBLIC WORKS CONSTRUCTION IS AVAILABLE FOR PURCHASE FROM THE CONTRACT ADMINISTRATION DEPARTMENT.

CITY OF OAKLAND

DESIGN AND CONSTRUCTION SERVICES DEPARTMENT



STREET LIGHT STANDARD
 30' MOUNTING HEIGHT WITH
 35' SIGNAL MAST ARM
 SHEET 2 OF 2

ELECTRICAL SERVICES MANAGER
 DATE: OCT 95
 REV. DATE: AUG 99
 DRWG. E-84