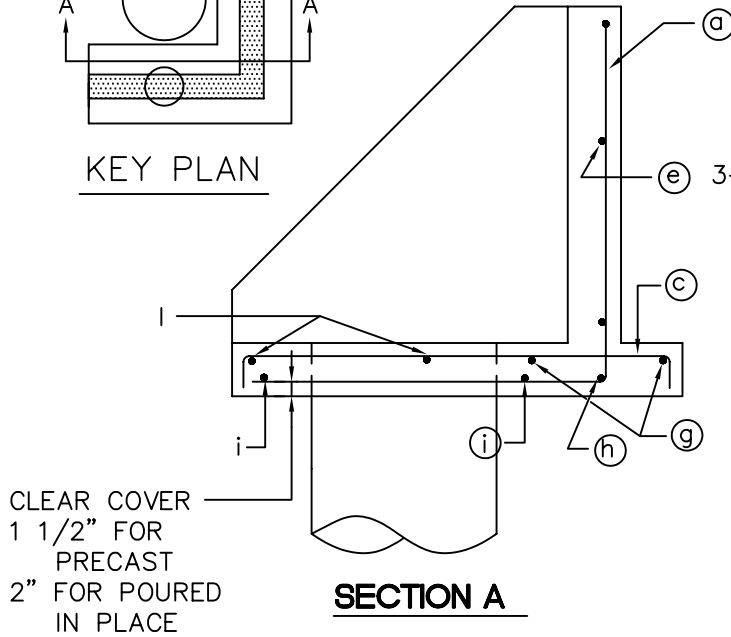
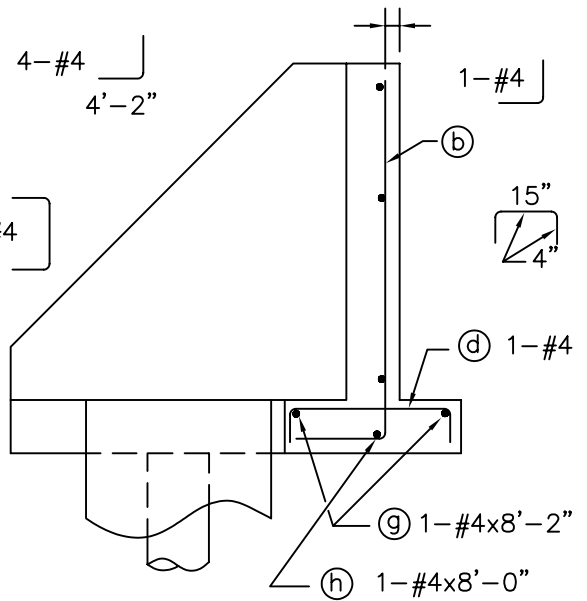


KEY PLAN

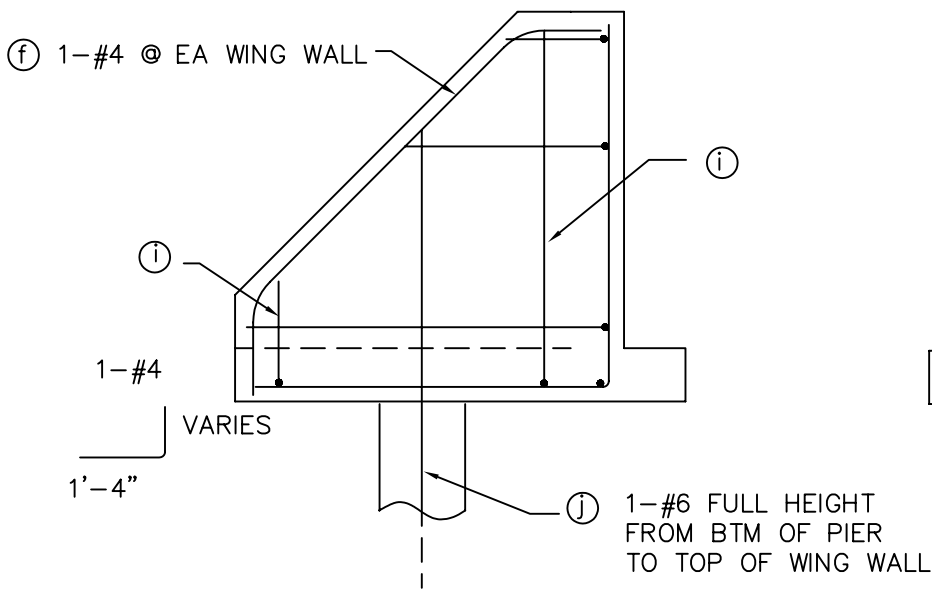
CLEAR COVER
 1 1/2" FOR PRECAST
 2" FOR POURED IN PLACE



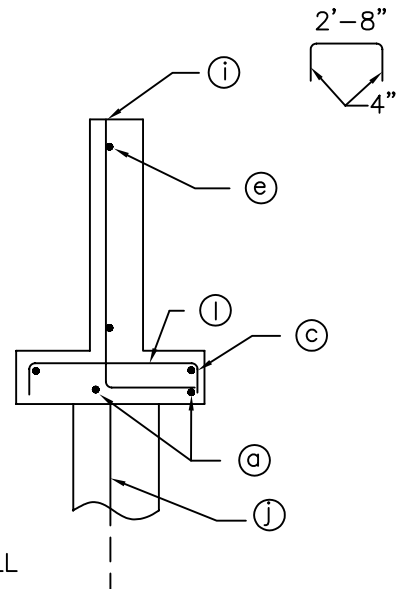
SECTION A



SECTION C



SECTION B



SECTION D

NOTE: THIS PLAN IS NOT A LEGAL ENGINEERING DOCUMENT BUT AN ELECTRONIC DUPLICATE. THE SIGNED CITY OF OAKLAND STANDARD DETAILS FOR PUBLIC WORKS CONSTRUCTION IS AVAILABLE FOR PURCHASE FROM THE CONTRACT ADMINISTRATION DEPARTMENT.

CITY OF OAKLAND

DESIGN AND CONSTRUCTION SERVICES DEPARTMENT



RETAINING WALL
 FOR
 LIGHT STANDARDS
 SHEET 2 OF 3

ELECTRICAL SERVICES MANAGER

DATE: OCT 95
 REV. DATE: AUG 99

DRWG.

E-77