

TAPERED ELLIPTICAL 6' OR 8'  
MAST ARM AS SPECIFIED ON DWG.  
ARM AS SPECIFIED

RAIN TIGHT  
TWO BOLT  
MOUNTING  
ATTACHMENT

2" SLIPFITTER

PHOTOELECTRIC  
CONTROL RECEPTACLE

LUMINAIRE - TYPICALLY 70,  
100, 150, 200, 250 OR 310  
WATT AS SPECIFIED ON DWG.

POLE  
CAP

NOTE:

USE FDN. TYPE "A", DWG. E-72

THE MATERIAL WILL BE ORDERED WITH EITHER A POWDER  
COAT FINISH OR GALVANIZED. ALL EXTERIOR SURFACES  
SHALL BE COATED WITH TRIGLYCIDYL ISOCYANURATE, (TGIC),  
POLYESTER POWDER, (OR EQUIVALENT), TO A MINIMUM DRY  
FILM THICKNESS OF 3 MILS. IN ACCORDANCE WITH 5A  
OR 5B OF ASTM-D33359. THE COLOR SHALL BE THE CITY  
OF OAKLAND'S, "BOXWOOD GREEN." THE INNER SURFACE  
SHALL BE COATED WITH A LONG OIL ALKYD TO A MINIMUM  
DRY FILM THICKNESS OF 2 MILS. GALVANIZING SHALL BE  
HOT DIPPED IN ACCORDANCE WITH ASTM-A123.

POLE NUMBER SHALL CONSIST OF REFLECTIVE ADHESIVE  
NUMERALS AND SHALL BE APPLIED VERTICALLY TO  
QUADRANT OF POLE FACING TRAFFIC. NUMBERS WILL  
BE FURNISHED BY THE CITY AND INSTALLED BY THE  
CONTRACTOR.

NOTE: THIS PLAN IS NOT A LEGAL ENGINEERING DOCUMENT BUT AN  
ELECTRONIC DUPLICATE. THE SIGNED CITY OF OAKLAND STANDARD  
DETAILS FOR PUBLIC WORKS CONSTRUCTION IS AVAILABLE FOR  
PURCHASE FROM THE CONTRACT ADMINISTRATION DEPARTMENT.

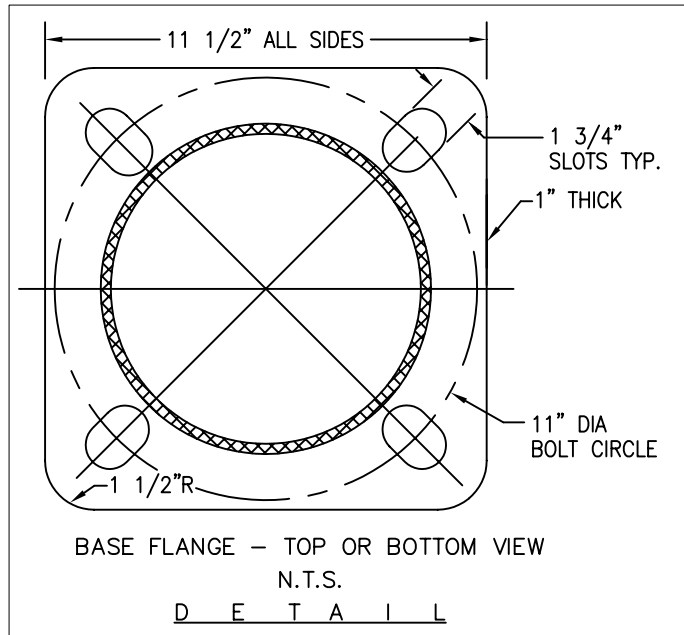
30' NOMINAL MOUNTING HEIGHT  
28'-6" POLE HEIGHT 11GA. MIN. STEEL  
SHAFT TAPERED 0.14" PER FOOT

"POST  
NO  
BILLS"  
DECAL

8'-6"

5'-0"

4" X 6 1/2" HAND HOLE  
WITH COVER. (OPPOSITE  
MAST ARM UNLESS  
OTHERWISE SPECIFIED)



CITY OF OAKLAND

DESIGN AND CONSTRUCTION SERVICES DEPARTMENT



28' - 6" SINGLE LIGHT  
STREET LIGHT  
STANDARD

ELECTRICAL SERVICES MANAGER

DATE: OCT 95  
REV. DATE: AUG 99

DRWG.

E-71