

6' OR 8' TAPERED ELLIPTICAL
MAST ARM AS SPECIFIED ON DWG.

RAIN TIGHT TWO
BOLT MOUNTING
ATTACHMENT

2" SLIPFITTER

PHOTOELECTRIC
CONTROL RECEPTACLE

LUMINAIRE - TYPICALLY 70,
100, 150, 200, 250 OR 310
WATT AS SPECIFIED ON DWG.

POLE
CAP

NOTE: THIS PLAN IS NOT A LEGAL ENGINEERING DOCUMENT BUT AN
ELECTRONIC DUPLICATE. THE SIGNED CITY OF OAKLAND STANDARD
DETAILS FOR PUBLIC WORKS CONSTRUCTION IS AVAILABLE FOR
PURCHASE FROM THE CONTRACT ADMINISTRATION DEPARTMENT.

NOTE:

USE FDN. TYPE "A", DWG. E-72

THE MATERIAL WILL BE ORDERED WITH EITHER A POWDER
COAT FINISH OR GALVANIZED. ALL EXTERIOR SURFACES
SHALL BE COATED WITH TRIGLYCIDYL ISOCYANURATE, (TGIC),
POLYESTER POWDER, (OR EQUIVALENT), TO A MINIMUM DRY
FILM THICKNESS OF 3 MILS. IN ACCORDANCE WITH 5A
OR 5B OF ASTM-D33359. THE COLOR SHALL BE THE CITY
OF OAKLAND'S, "BOXWOOD GREEN." THE INNER SURFACE
SHALL BE COATED WITH A LONG OIL ALKYD TO A MINIMUM
DRY FILM THICKNESS OF 2 MILS. GALVANIZING SHALL BE
HOT DIPPED IN ACCORDANCE WITH ASTM-A123.

POLE NUMBER SHALL CONSIST OF REFLECTIVE ADHESIVE
NUMERALS AND SHALL BE APPLIED VERTICALLY TO
QUADRANT OF POLE FACING TRAFFIC. NUMBERS WILL
BE FURNISHED BY THE CITY AND INSTALLED BY THE
CONTRACTOR.

30'-0" NOMINAL MOUNTING HEIGHT

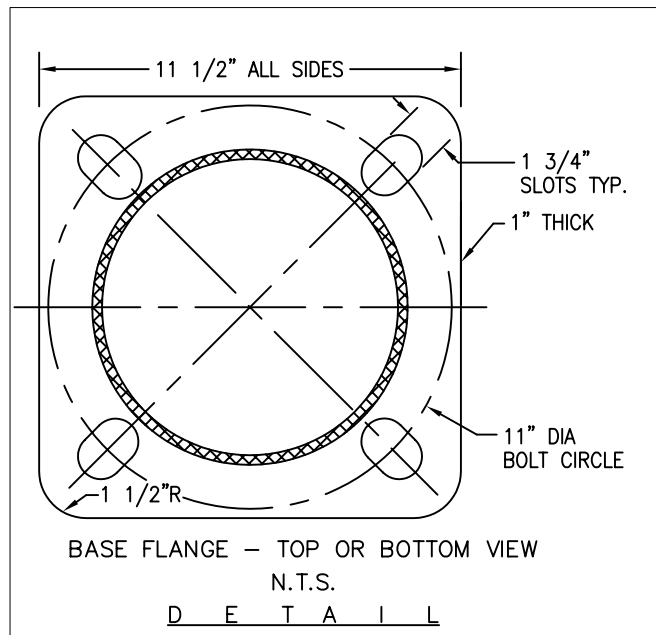
28'-6" POLE HEIGHT 11GA. MIN. STEEL
SHAFT TAPERED 0.14" PER FOOT

"POST
NO
BILLS"
DECAL

4" X 6 1/2" HAND
HOLE WITH COVER.
(OPPOSITE MAST
ARM UNLESS
OTHERWISE SPECIFIED)

8'-6"

5'-0"



CITY OF OAKLAND

DESIGN AND CONSTRUCTION SERVICES DEPARTMENT



28' - 6" DUPLEX
STREET LIGHT
STANDARD

ELECTRICAL SERVICES MANAGER

DATE: OCT 95
REV. DATE: AUG 99

DRWG.

E-70