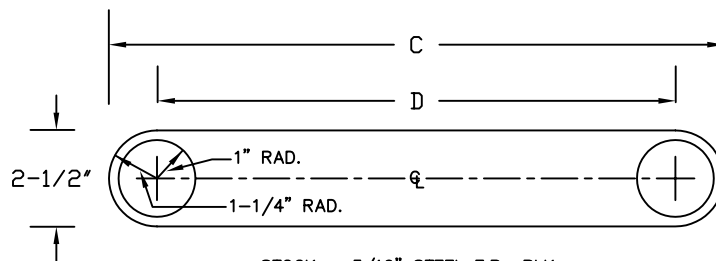


STOCK - 3/16" STEEL F.B., BLK.

### 3 HOLE TIE BRACE

DIMENSION DATA		
PC.NO.	DIM. A	DIM. B
A40	17"	14-1/2"
A42	21"	18-1/2"
A43	25"	22-1/2"
A44	29"	26-1/2"
A45	33"	30-1/2"
A46	37"	34-1/2"

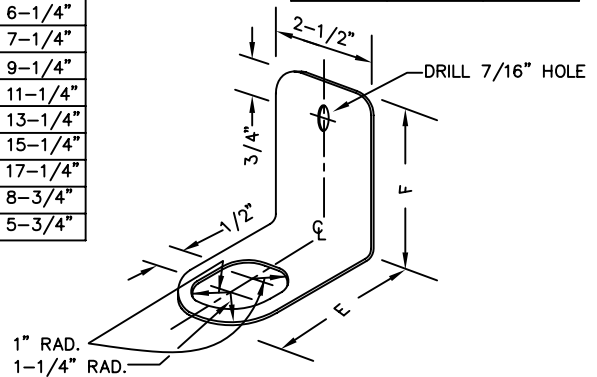


STOCK - 3/16" STEEL F.B., BLK.

### 2 HOLE TIE BRACE

DIMENSION DATA		
PC. NO.	DIM. C	DIM. D
A30	8-3/4"	6-1/4"
A31	9-3/4"	7-1/4"
A32	11-3/4"	9-1/4"
A33	13-3/4"	11-1/4"
A34	15-3/4"	13-1/4"
A35	17-3/4"	15-1/4"
A36	19-3/4"	17-1/4"
A37	11-1/4"	8-3/4"
A38	9-1/2"	5-3/4"

DIMENSION DATA		
PC. NO.	DIM. E	DIM. F
A50	3-1/2"	3-1/2"
A51	6-1/2"	3-1/2"
A52	9-1/2"	3-1/2"



STOCK - 3/16" STEEL F.B., BLK.

### POLE TIE ANGLE

## DIRECTIONS

- GRIND METAL EDGES & ROUND METAL CORNERS AS INDICATED
- PAINTING --- APPLICATION BY SPRAY OR DIP AS FOLLOWS USING SHERWIN-WILLIAMS CO. MATERIAL:  
 PRIMER SHALL BE SHERWIN-WILLIAMS RECOATABLE EPOXY PRIMER B67R5/B67V5 (RED OXIDE) OR EQUAL, APPLIED TO ALL SURFACES.  
 FINISH SHALL BE SHERWIN-WILLIAMS SILICONE ALKYD LOW VOC ENAMEL "DARK GREEN"  
 PRIMED MATERIAL MAY BE HANDLED IN 1/2 HR. & RECOATED IN 1 HR.  
 FINISHED MATERIAL MAY BE STORED AFTER DRYING OVERNIGHT

NOTE: THIS PLAN IS NOT A LEGAL ENGINEERING DOCUMENT BUT AN ELECTRONIC DUPLICATE. THE SIGNED CITY OF OAKLAND STANDARD DETAILS FOR PUBLIC WORKS CONSTRUCTION IS AVAILABLE FOR PURCHASE FROM THE CONTRACT ADMINISTRATION DEPARTMENT.

CITY OF OAKLAND

DESIGN AND CONSTRUCTION SERVICES DEPARTMENT



TRAFFIC SIGNAL MOUNTING  
SHOP MADE PARTS

ELECTRICAL SERVICES MANAGER

DATE: JAN 96  
REV. DATE:

DRWG.

E-42