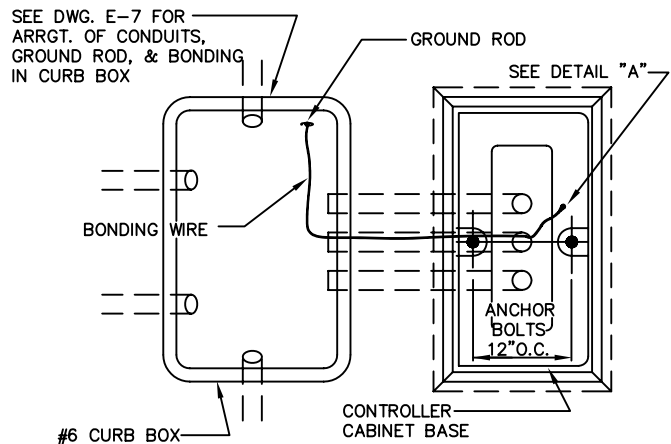
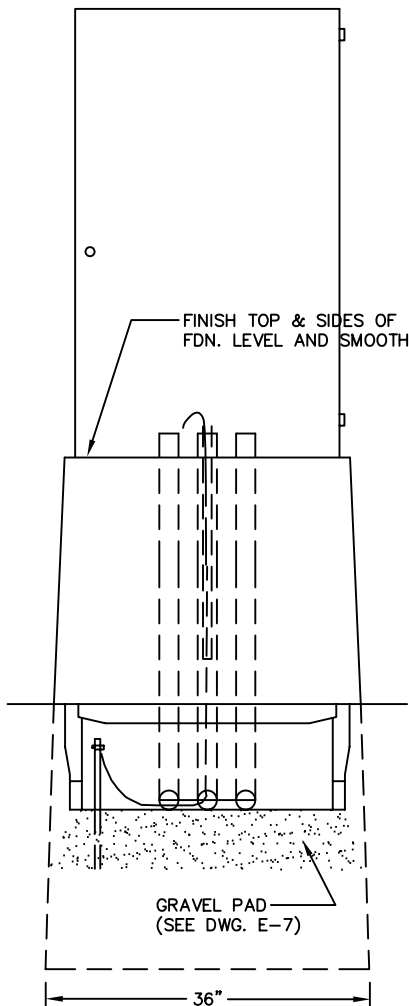


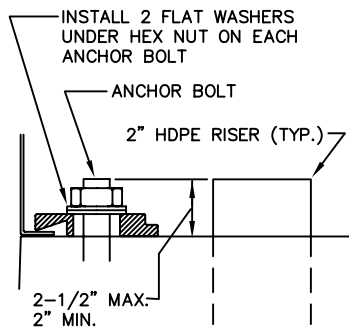
DETAIL "A"
GROUND CONNECTION
IN CABINET



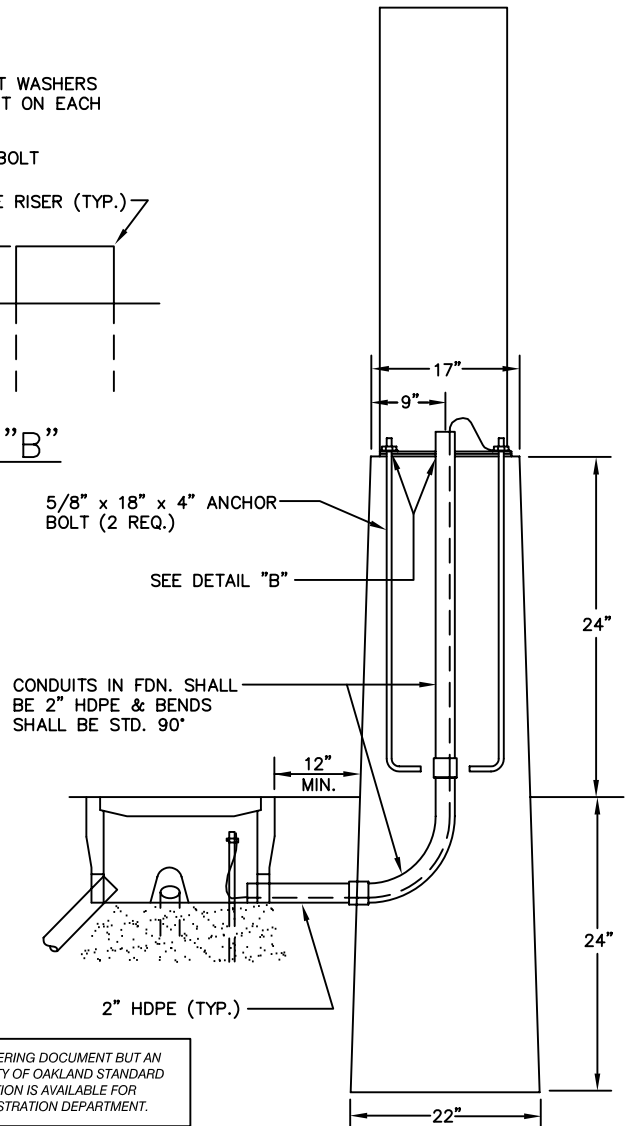
PLAN VIEW



FRONT ELEVATION



DETAIL "B"



SIDE SECTION

NOTE: THIS PLAN IS NOT A LEGAL ENGINEERING DOCUMENT BUT AN ELECTRONIC DUPLICATE. THE SIGNED CITY OF OAKLAND STANDARD DETAILS FOR PUBLIC WORKS CONSTRUCTION IS AVAILABLE FOR PURCHASE FROM THE CONTRACT ADMINISTRATION DEPARTMENT.

CITY OF OAKLAND

DESIGN AND CONSTRUCTION SERVICES DEPARTMENT



FOUNDATION FOR
TRAFFIC ACTUATED
CONTROLLER CABINET
SHEET 1 OF 2

ELECTRICAL SERVICES MANAGER

DATE: JAN 96
REV. DATE: AUG 99

DRWG.

E-40