

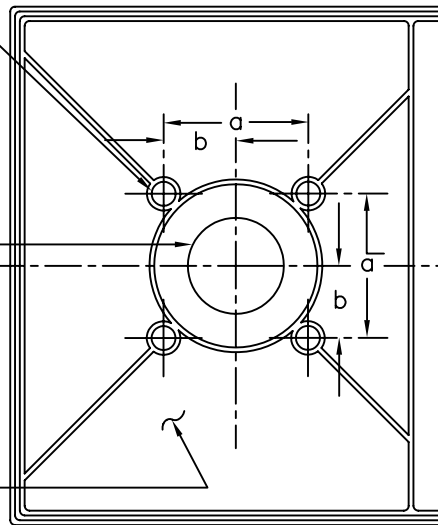
ELEVATION

SCALE: 3/4" = 1'-0"

1/2" DRILL THROUGH (4 HOLES) IN CABINETS WITH RIBBED & BOSSED BOTTOMS, DRILL MTG. HOLES THROUGH BOSSES -- IN CABINETS WITH PLAIN BOTTOMS, LOCATE MTG. HOLES BY DIMENSIONS AS SHOWN.

IN CABINETS WITH RIBBED CIRCLE & K.O. CENTERED IN BOTTOM, CUT OUT K.O. -- IN CABINETS WITH PLAIN BOTTOMS; CUT 2-7/16" DIA. HOLE CENTERED IN BOTTOM -- IN ALL CASES SMOOTH EDGES OF HOLE

DRILL (8) 1/4" HOLES IN BOTTOM (DISTRIBUTE HOLES SYMMETRICALLY)



a = 3-3/4"  
b = 1-7/8"

DETAIL OF MOUNTING HOLES IN CONTROLLER CABINET

SCALE: 3" = 1'-0"

NOTE: THIS PLAN IS NOT A LEGAL ENGINEERING DOCUMENT BUT AN ELECTRONIC DUPLICATE. THE SIGNED CITY OF OAKLAND STANDARD DETAILS FOR PUBLIC WORKS CONSTRUCTION IS AVAILABLE FOR PURCHASE FROM THE CONTRACT ADMINISTRATION DEPARTMENT.

CITY OF OAKLAND

DESIGN AND CONSTRUCTION SERVICES DEPARTMENT



PEDESTAL MOUNTING FOR TRAFFIC SIGNAL CONTROLLER

ELECTRICAL SERVICES MANAGER

DATE: JUL 87  
REV. DATE: AUG 99

DRWG.

E-33