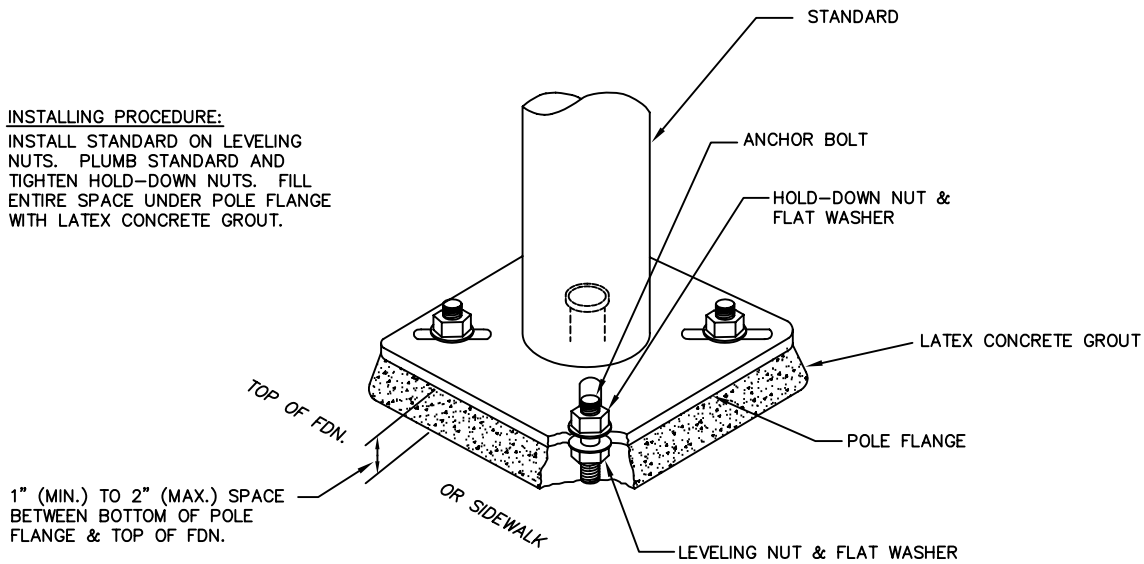


**METHOD "C"**

FOR AREAS WHERE NO SIDEWALK EXISTS

**INSTALLING PROCEDURE:**

INSTALL STANDARD ON LEVELING NUTS. PLUMB STANDARD AND TIGHTEN HOLD-DOWN NUTS. FILL ENTIRE SPACE UNDER POLE FLANGE WITH LATEX CONCRETE GROUT.



**INSTALLATION OF STANDARD ON FOUNDATION**

FOR USE WITH METHOD "A", "B" (SHEET E-18), OR "C" (ABOVE)

NOTE: THIS PLAN IS NOT A LEGAL ENGINEERING DOCUMENT BUT AN ELECTRONIC DUPLICATE. THE SIGNED CITY OF OAKLAND STANDARD DETAILS FOR PUBLIC WORKS CONSTRUCTION IS AVAILABLE FOR PURCHASE FROM THE CONTRACT ADMINISTRATION DEPARTMENT.

CITY OF OAKLAND

DESIGN AND CONSTRUCTION SERVICES DEPARTMENT



BORED-HOLE FOUNDATION  
30' STANDARD WITH LUMINAIRE  
& 30' (MAX) SIGNAL MAST ARM  
SHEET 2 OF 3

ELECTRICAL SERVICES MANAGER

DATE: JUL 87  
REV. DATE: DEC 2002

DRWG.

E-19