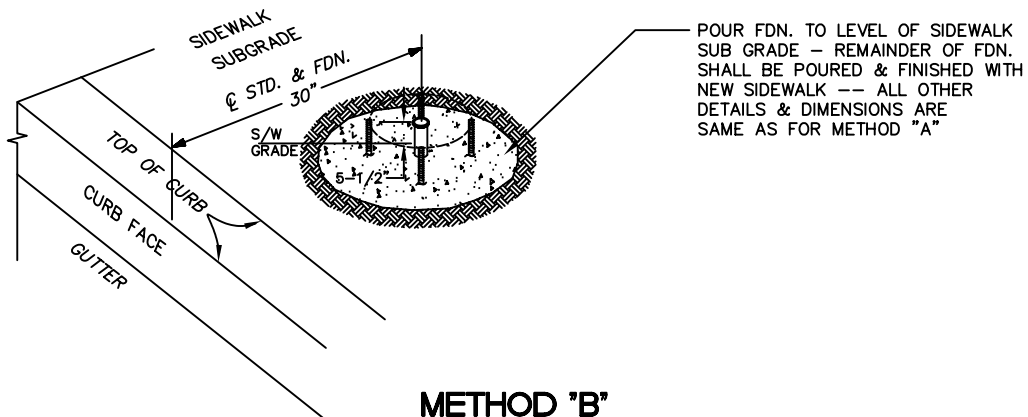


METHOD 'A'
INSTALLATION IN AREAS WITH EXISTING SIDEWALK

NOTE:
 AT LOCATIONS WHERE UNDERGROUND OBSTRUCTIONS MAKE BORING IMPOSSIBLE, THE SPREAD FDN. MAY BE INSTALLED.
 SEE DETAIL ON DWG. E-73



METHOD 'B'
FOR AREAS WHERE NEW SIDEWALK IS TO BE INSTALLED

POUR FDN. TO LEVEL OF SIDEWALK SUB GRADE - REMAINDER OF FDN. SHALL BE POURED & FINISHED WITH NEW SIDEWALK -- ALL OTHER DETAILS & DIMENSIONS ARE SAME AS FOR METHOD "A"

NOTE: THIS PLAN IS NOT A LEGAL ENGINEERING DOCUMENT BUT AN ELECTRONIC DUPLICATE. THE SIGNED CITY OF OAKLAND STANDARD DETAILS FOR PUBLIC WORKS CONSTRUCTION IS AVAILABLE FOR PURCHASE FROM THE CONTRACT ADMINISTRATION DEPARTMENT.

CITY OF OAKLAND

DESIGN AND CONSTRUCTION SERVICES DEPARTMENT



BORED-HOLE FOUNDATION
 30' STANDARD WITH LUMINAIRE
 & 30' (MAX) SIGNAL MAST ARMS
 SHEET 1 OF 3

ELECTRICAL SERVICES MANAGER

DATE: JUL 87
 REV. DATE: DEC 2002

DRWG.

E-18