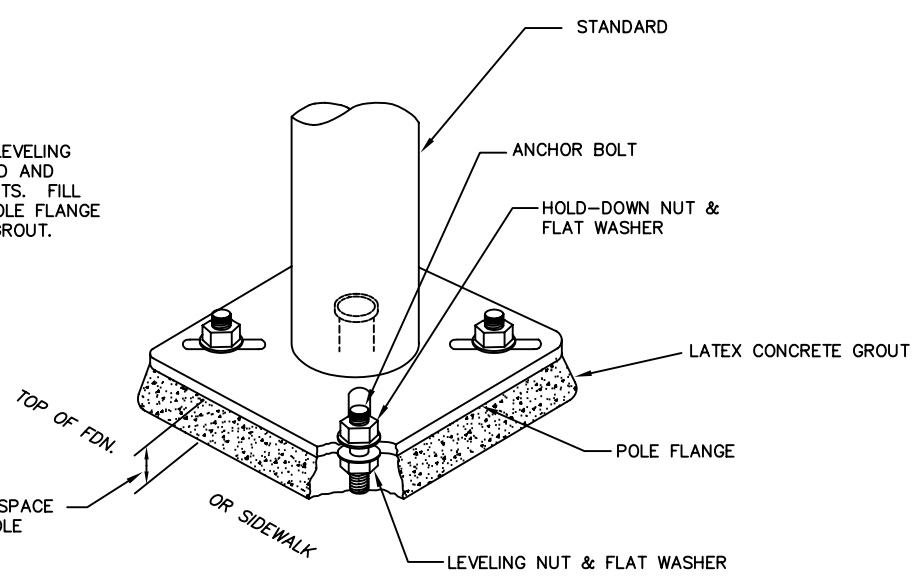


**METHOD "C"**  
FOR AREAS WHERE NO SIDEWALK EXISTS

**INSTALLING PROCEDURE:**  
INSTALL STANDARD ON LEVELING NUTS. PLUMB STANDARD AND TIGHTEN HOLD-DOWN NUTS. FILL ENTIRE SPACE UNDER POLE FLANGE WITH LATEX CONCRETE GROUT.



**INSTALLATION OF STANDARD ON FOUNDATION**  
FOR USE WITH METHOD "A", "B" (SHEET E-15), OR "C" (ABOVE)

NOTE: THIS PLAN IS NOT A LEGAL ENGINEERING DOCUMENT BUT AN ELECTRONIC DUPLICATE. THE SIGNED CITY OF OAKLAND STANDARD DETAILS FOR PUBLIC WORKS CONSTRUCTION IS AVAILABLE FOR PURCHASE FROM THE CONTRACT ADMINISTRATION DEPARTMENT.