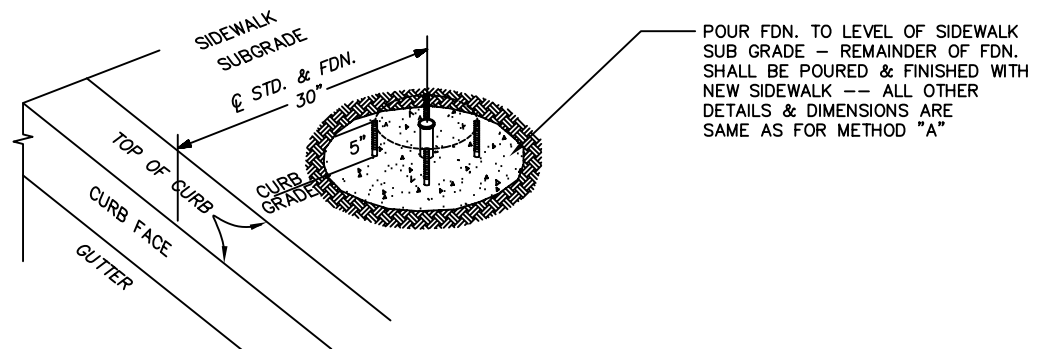


METHOD "A"

INSTALLATION IN AREAS WITH EXISTING SIDEWALK



METHOD "B"

FOR AREAS WHERE NEW SIDEWALK IS TO BE INSTALLED

NOTE:
AT LOCATIONS WHERE UNDERGROUND OBSTRUCTIONS MAKE BORING IMPOSSIBLE, THE SPREAD FDN. MAY BE INSTALLED. SEE DETAIL ON DWG. E-73

NOTE: THIS PLAN IS NOT A LEGAL ENGINEERING DOCUMENT BUT AN ELECTRONIC DUPLICATE. THE SIGNED CITY OF OAKLAND STANDARD DETAILS FOR PUBLIC WORKS CONSTRUCTION IS AVAILABLE FOR PURCHASE FROM THE CONTRACT ADMINISTRATION DEPARTMENT.