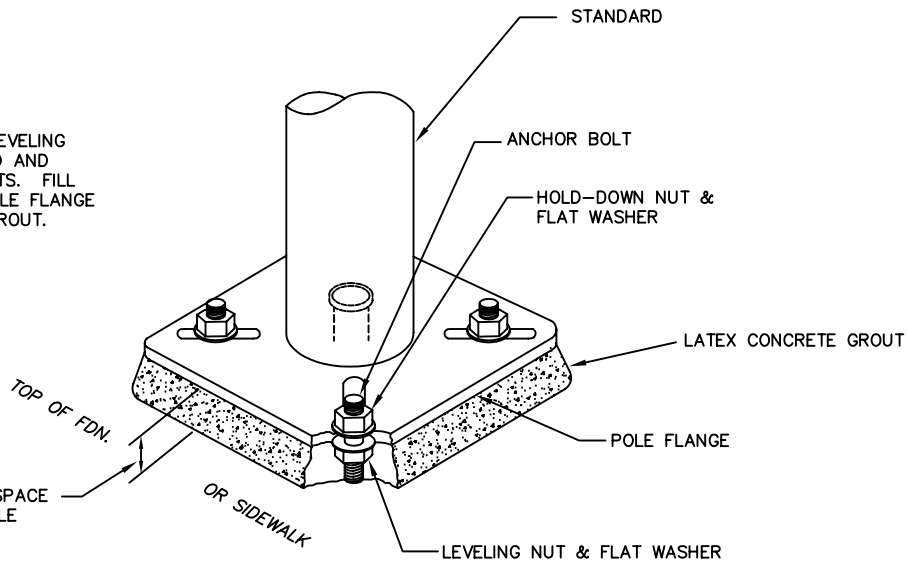


METHOD "C"
FOR AREAS WHERE NO SIDEWALK EXISTS

INSTALLING PROCEDURE:

INSTALL STANDARD ON LEVELING NUTS. PLUMB STANDARD AND TIGHTEN HOLD-DOWN NUTS. FILL ENTIRE SPACE UNDER POLE FLANGE WITH LATEX CONCRETE GROUT.

1" (MIN.) TO 2" (MAX.) SPACE BETWEEN BOTTOM OF POLE FLANGE & TOP OF FDN.



INSTALLATION OF STANDARD ON FOUNDATION
FOR USE WITH METHOD "A", "B" (SHEET 1), OR "C" (ABOVE)

NOTE: THIS PLAN IS NOT A LEGAL ENGINEERING DOCUMENT BUT AN ELECTRONIC DUPLICATE. THE SIGNED CITY OF OAKLAND STANDARD DETAILS FOR PUBLIC WORKS CONSTRUCTION IS AVAILABLE FOR PURCHASE FROM THE CONTRACT ADMINISTRATION DEPARTMENT.

CITY OF OAKLAND

DESIGN AND CONSTRUCTION SERVICES DEPARTMENT



**BORED-HOLE FOUNDATION
30' STANDARD
W/ LUMINAIRE MAST ARM
SHEET 2 OF 3**

ELECTRICAL SERVICES MANAGER

DATE: OCT 95
REV. DATE: AUG 99

DRWG.

E-13