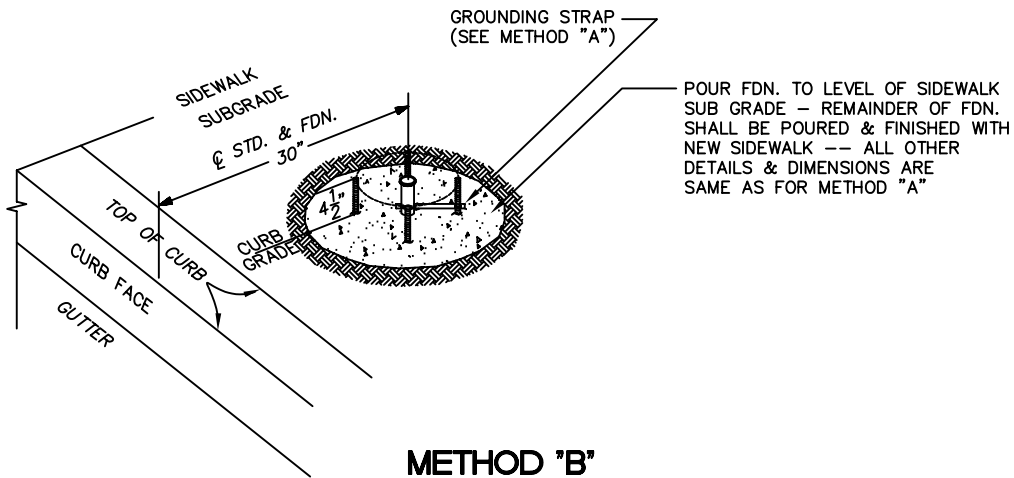


METHOD "A"

INSTALLATION IN AREAS WITH EXISTING SIDEWALK



METHOD "B"

FOR AREAS WHERE NEW SIDEWALK IS TO BE INSTALLED

NOTE:
AT LOCATIONS WHERE UNDERGROUND OBSTRUCTIONS MAKE BORING IMPOSSIBLE, THE SPREAD FDN. MAY BE INSTALLED. SEE DWG. E-73

NOTE: THIS PLAN IS NOT A LEGAL ENGINEERING DOCUMENT BUT AN ELECTRONIC DUPLICATE. THE SIGNED CITY OF OAKLAND STANDARD DETAILS FOR PUBLIC WORKS CONSTRUCTION IS AVAILABLE FOR PURCHASE FROM THE CONTRACT ADMINISTRATION DEPARTMENT.

CITY OF OAKLAND

DESIGN AND CONSTRUCTION SERVICES DEPARTMENT



BORED-HOLE FOUNDATION
30' STANDARD
W/ LUMINAIRE MAST ARM
SHEET 1 OF 3

ELECTRICAL SERVICES MANAGER

DATE: OCT 95
REV. DATE: AUG 99

DRWG.

E-12