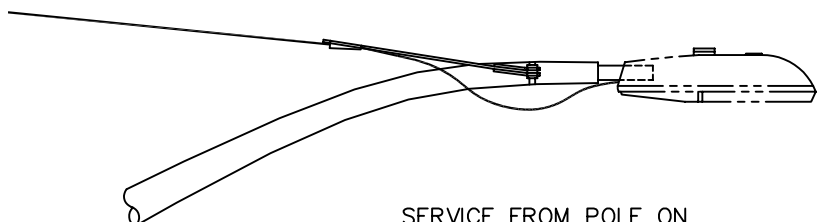
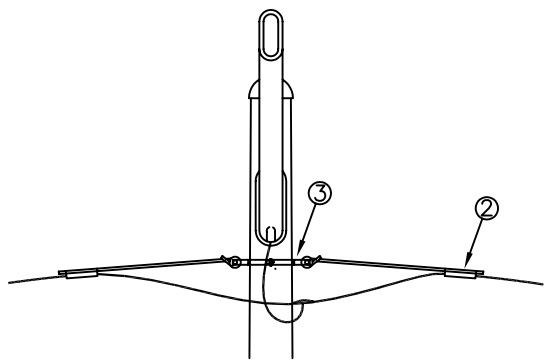


SERVICE FROM POLE ON
OPPOSITE SIDE OF STREET



SERVICE FROM POLE ON
SAME SIDE OF STREET



OVERHEAD CABLE
ATTACHMENTS

1. HUBBARD #2944 CLEVIS AND #1663 INSULATOR, OR EQUAL, WITH 3/8" CARRIAGE BOLT THROUGH POLE OR BRACKET AS REQUIRED.
2. PREFORMED OVERHEAD DEAD END GRIP FOR #6 DUPLEX OR TRIPLEX.
3. HUBBARD POLE BAND, SINGLE OR DOUBLE AS REQUIRED, WITH INSULATED CLEVIS AS ① ABOVE, OR EQUAL
4. PG&E WILL MAKE THE SERVICE CONNECTIONS AT THEIR POLE.
5. MAINTAIN SERVICE DROP CLEARANCES IN ACCORDANCE WITH CPUC GENERAL ORDER NO. 95, RULES FOR OVERHEAD ELECTRIC LINE CONSTRUCTION.

NOTE: THIS PLAN IS NOT A LEGAL ENGINEERING DOCUMENT BUT AN ELECTRONIC DUPLICATE. THE SIGNED CITY OF OAKLAND STANDARD DETAILS FOR PUBLIC WORKS CONSTRUCTION IS AVAILABLE FOR PURCHASE FROM THE CONTRACT ADMINISTRATION DEPARTMENT.

CITY OF OAKLAND

DESIGN AND CONSTRUCTION SERVICES DEPARTMENT



OVERHEAD SERVICES
FOR
ELECTROLIERS

ELECTRICAL SERVICES MANAGER
DATE : OCT 95
REV. DATE : AUG 99
DRWG. E-11