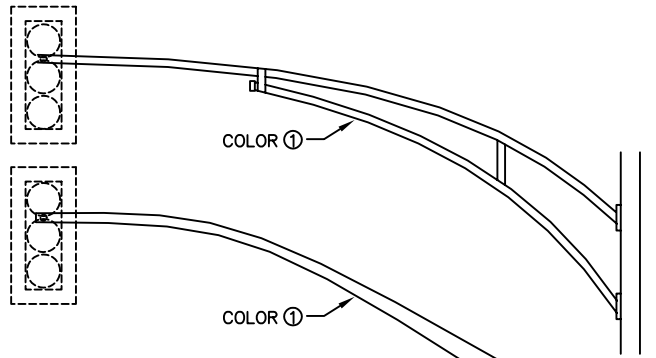


(EXAMPLES)

LUMINAIRE MAST ARM

UNIT 7

CLEAN & PAINT MAST ARM INCLUDING SCROLL, (IF ANY) & POLE FITTING—COLOR ①



COLOR ①

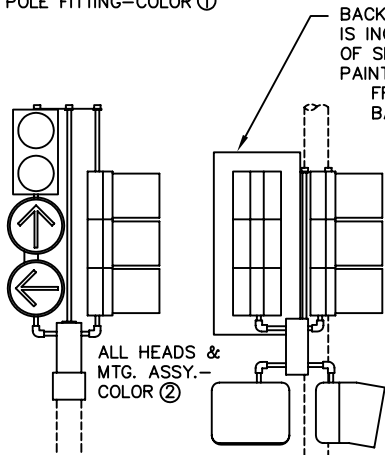
COLOR ①

(EXAMPLES)

TRAFFIC SIGNAL MAST ARM

UNIT 8

CLEAN & PAINT MAST ARM INCLUDING ALL BRACING & POLE FITTINGS



BACKGROUND SHIELD IS INCLUDED AS PART OF SIGNAL HEAD UNIT—PAINT COLORS:
FRONT (FACING TRAFFIC)—COLOR ③
BACK — COLOR ②

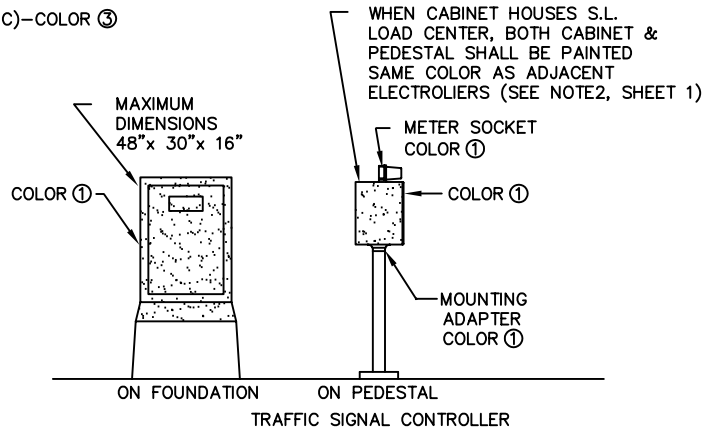
ALL HEADS & MTG. ASSY.—COLOR ②

(EXAMPLES)

2 UNITS
4 UNITS
TRAFFIC SIGNAL HEAD & MTG.

UNIT 9

CLEAN & PAINT SIGNAL HEAD & ENTIRE MTG. ASSEMBLY (EACH SIGNAL HEAD IN A MTG. CONSTITUTES ONE UNIT)



MAXIMUM DIMENSIONS
48" x 30" x 16"

COLOR ①

WHEN CABINET HOUSES S.L. LOAD CENTER, BOTH CABINET & PEDESTAL SHALL BE PAINTED SAME COLOR AS ADJACENT ELECTROLIERS (SEE NOTE2, SHEET 1)

METER SOCKET
COLOR ①

COLOR ①

MOUNTING ADAPTER
COLOR ①

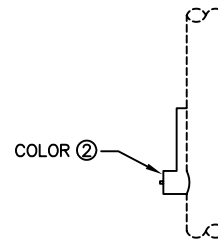
ON FOUNDATION

ON PEDESTAL

TRAFFIC SIGNAL CONTROLLER

UNIT 10

CLEAN & PAINT CABINET, INCLUDING ADAPTER & ALL MTG. HARDWARE, METER SOCKET & MTG. BRACKET (IF INSTALLED)



COLOR ②

PEDESTRIAN
PUSH BUTTON

UNIT 13

CLEAN & PAINT PEDESTRIAN PUSHBUTTON HOUSING, NOT INCLUDING SIGN

NOTE: THIS PLAN IS NOT A LEGAL ENGINEERING DOCUMENT BUT AN ELECTRONIC DUPLICATE. THE SIGNED CITY OF OAKLAND STANDARD DETAILS FOR PUBLIC WORKS CONSTRUCTION IS AVAILABLE FOR PURCHASE FROM THE CONTRACT ADMINISTRATION DEPARTMENT.

CITY OF OAKLAND

DESIGN AND CONSTRUCTION SERVICES DEPARTMENT



COLOR & CONFIGURATIONS
USED FOR
PAINTING ELECTRICAL UTILITIES
SHEET 2 OF 3

ELECTRICAL SERVICES MANAGER

DATE: OCT 95
REV. DATE: AUG 99

DRWG.

E-5