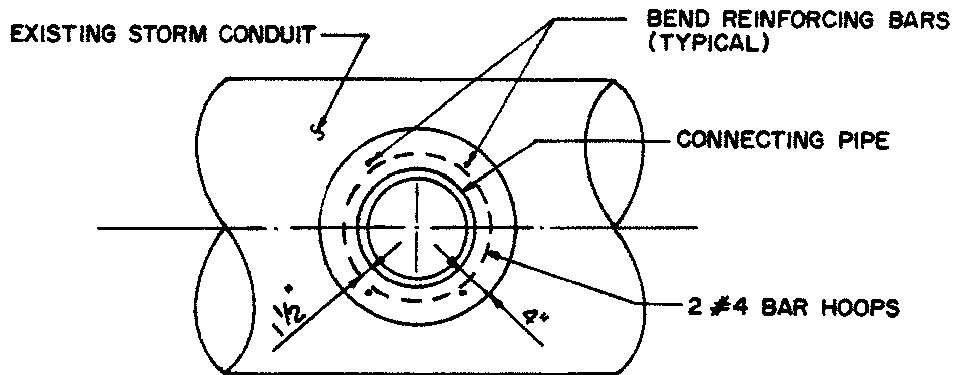


CONNECTION DETAIL

NTS



SECTION A-A

NTS

NOTE: THIS PLAN IS NOT A LEGAL ENGINEERING DOCUMENT BUT AN ELECTRONIC DUPLICATE. THE SIGNED CITY OF OAKLAND STANDARD DETAILS FOR PUBLIC WORKS CONSTRUCTION IS AVAILABLE FOR PURCHASE FROM THE CONTRACT ADMINISTRATION DEPARTMENT.

NOTES:

1. A CONCRETE COLLAR CONNECTION TO A STORM LINE IS PERMITTED ONLY IF APPROVED BY THE CITY AND IF EXISTING STORM LINE IS TWICE OR LARGER THAN THE DIAMETER OF THE PROPOSED CONNECTING LINE, OTHERWISE MANHOLE IS REQUIRED.
2. FOR PLAIN CONCRETE PIPE USE DOWELLED #4 BARS.
3. TWELVE INCHES (12") WHEN PIPE BEING CONNECTED TO IS FORTY EIGHT INCHES (48") OR LARGER.

CITY OF OAKLAND

DESIGN AND CONSTRUCTION SERVICES DEPARTMENT



**STORM CONDUIT
CONNECTION DETAIL**

ENGINEERING DESIGN MANAGER

DATE: JANUARY 2002

REV. DATE: _____

DWG.

D-29