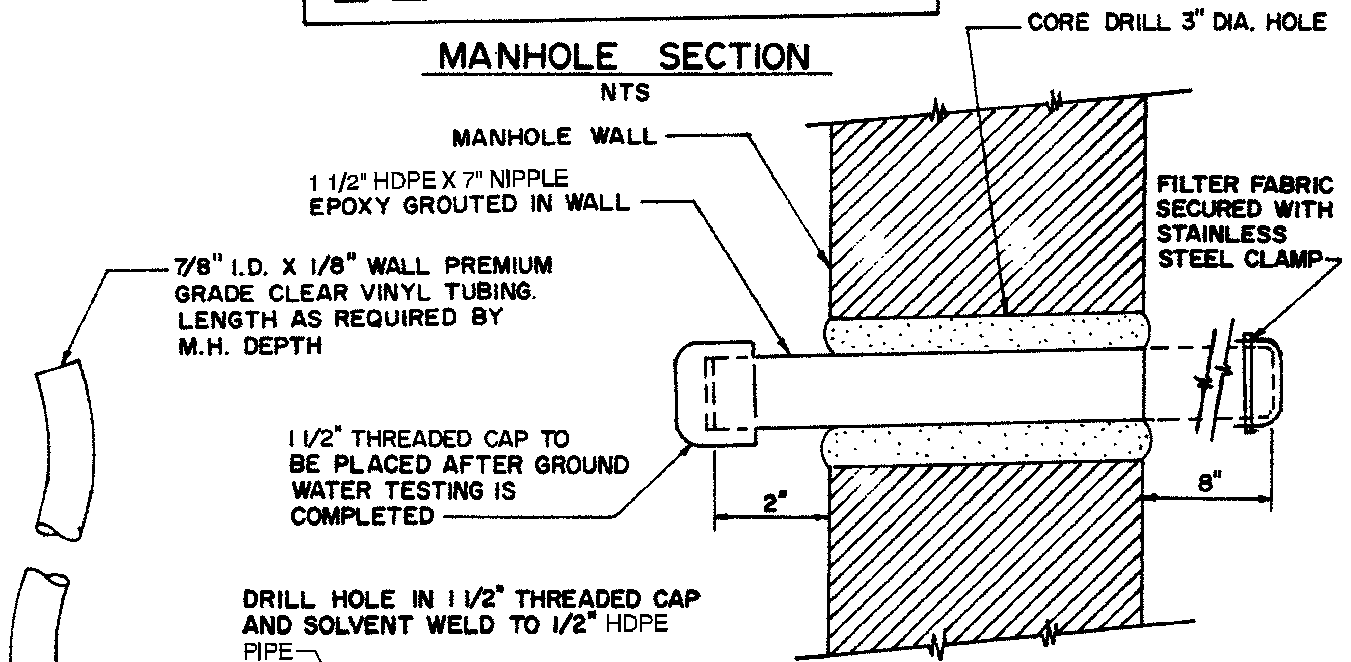


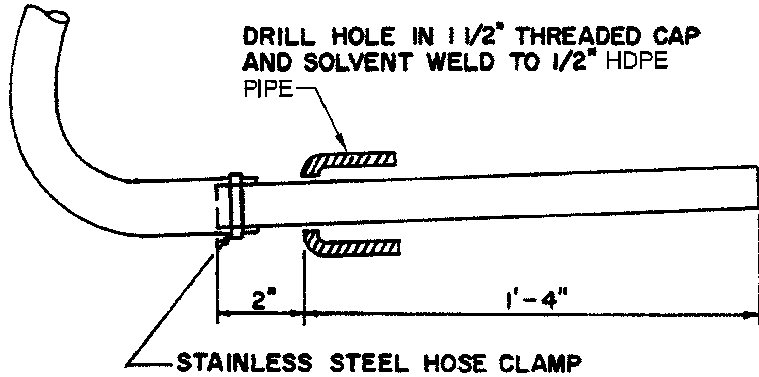
MANHOLE SECTION

NTS



TAP DETAIL

NTS



GAGE DETAIL

NTS

NOTE: THIS PLAN IS NOT A LEGAL ENGINEERING DOCUMENT BUT AN ELECTRONIC DUPLICATE. THE SIGNED CITY OF OAKLAND STANDARD DETAILS FOR PUBLIC WORKS CONSTRUCTION IS AVAILABLE FOR PURCHASE FROM THE CONTRACT ADMINISTRATION DEPARTMENT.

CITY OF OAKLAND

DESIGN AND CONSTRUCTION SERVICES DEPARTMENT



**GROUND WATER
GAGE DETAILS**

ENGINEERING DESIGN MANAGER

DATE: JANUARY 2002

DWG.

REV. DATE: _____

D-25