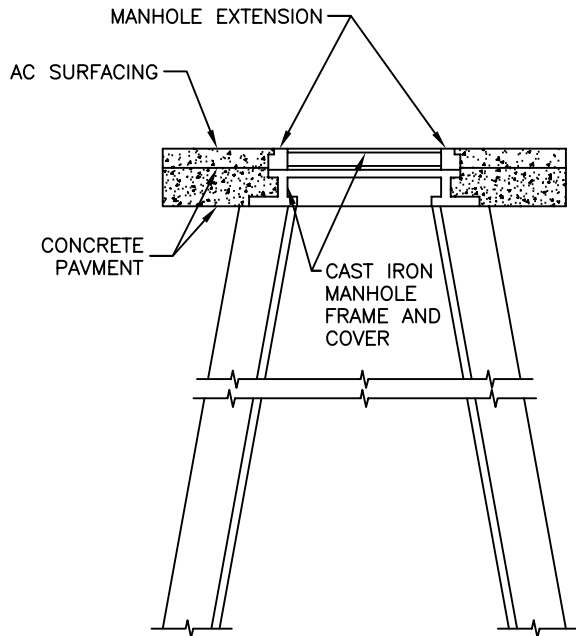
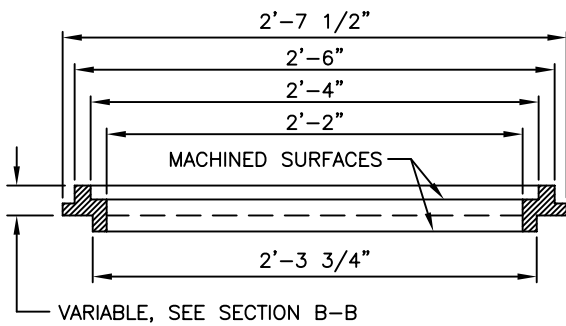


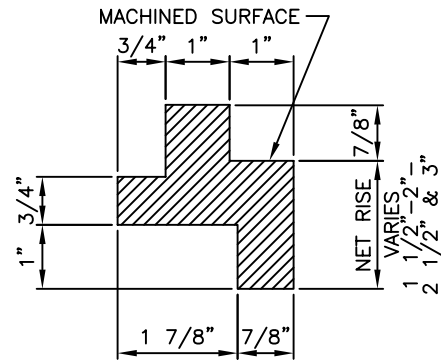
PLAN
NTS



TYPICAL
INSTALLATION



SECTION A-A
NTS



SECTION B-B
NTS

NOTE: THIS PLAN IS NOT A LEGAL ENGINEERING DOCUMENT BUT AN ELECTRONIC DUPLICATE. THE SIGNED CITY OF OAKLAND STANDARD DETAILS FOR PUBLIC WORKS CONSTRUCTION IS AVAILABLE FOR PURCHASE FROM THE CONTRACT ADMINISTRATION DEPARTMENT.

CITY OF OAKLAND

DESIGN AND CONSTRUCTION SERVICES DEPARTMENT



**MANHOLE
EXTENSION RINGS**
(CAST IRON)

ENGINEERING DESIGN MANAGER

DATE : FEBRUARY 2002

REV. DATE : _____

DWG.

D-21