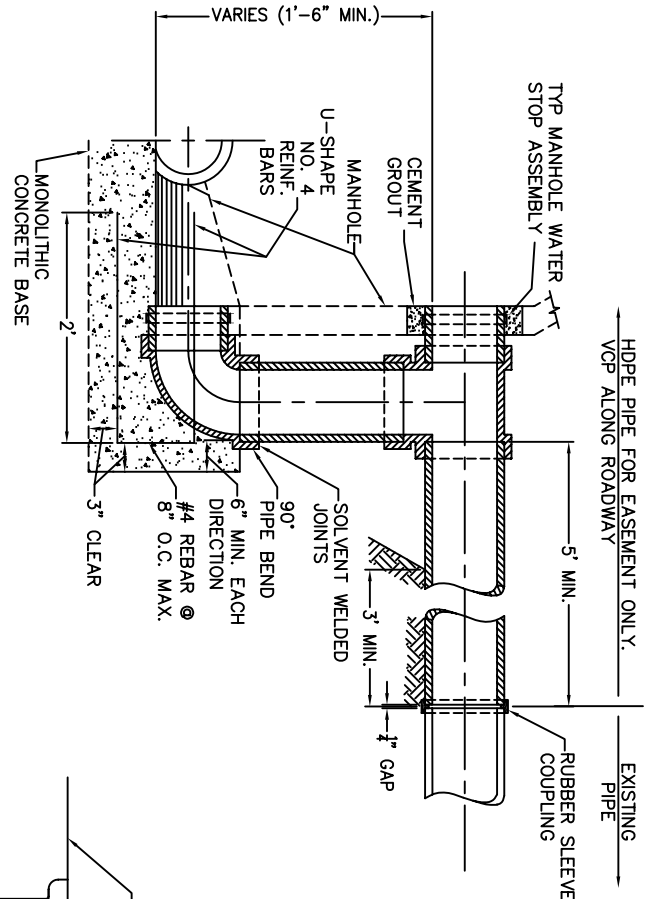
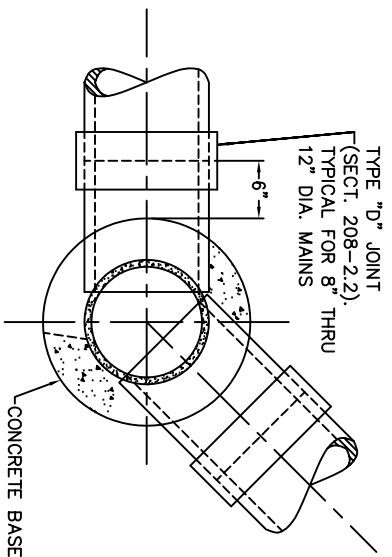


FRAME AND COVER  
LAMPHOLE AND CLEANOUT



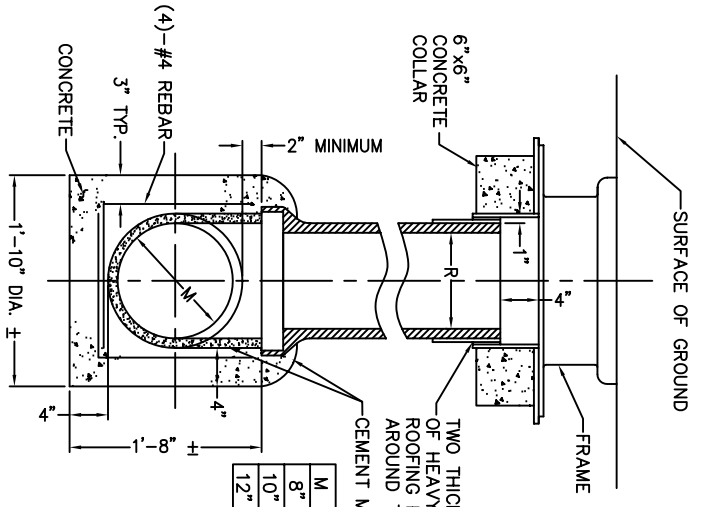
DROP CONNECTION

- DROP CONNECTION**
- COVERS, PANS AND FRAMES TO CONFORM TO SECTION 206-3.
  - ALL CONTACT AND BEARING SURFACES OF BOTH FRAME AND COVER SHALL BE MACHINED TO FIT ACCURATELY.
  - PANS SHALL BE PLACED IN ALL LAMPHOLES.
  - FOR CLEANOUT LESS THAN 4' DEEP, OMIT 18" SECTION.



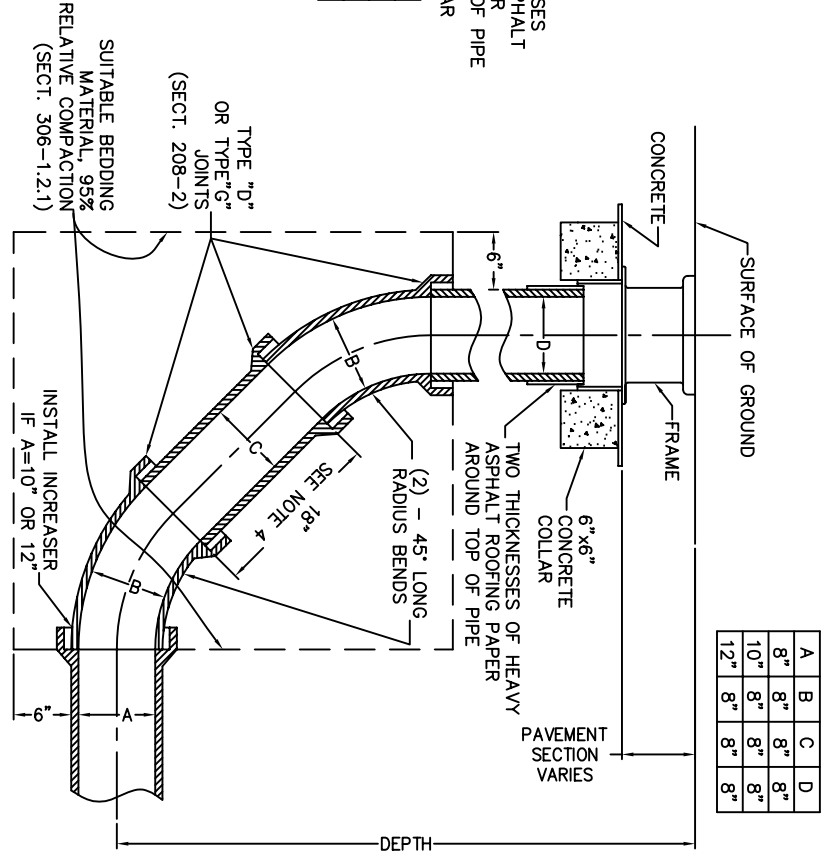
SECTIONAL PLAN

LAMPHOLE



SECTIONAL ELEVATION

M	R
8"	6"
10"	8"
12"	10"



SECTIONAL ELEVATION

CLEANOUT

A	B	C	D
8"	8"	8"	8"
10"	8"	8"	8"
12"	8"	8"	8"

NOTE: THIS PLAN IS NOT A LEGAL ENGINEERING DOCUMENT BUT AN ELECTRONIC DUPLICATE. THE SIGNED CITY OF OAKLAND STANDARD DETAILS FOR PUBLIC WORKS CONSTRUCTION IS AVAILABLE FOR PURCHASE FROM THE CONTRACT ADMINISTRATION DEPARTMENT.