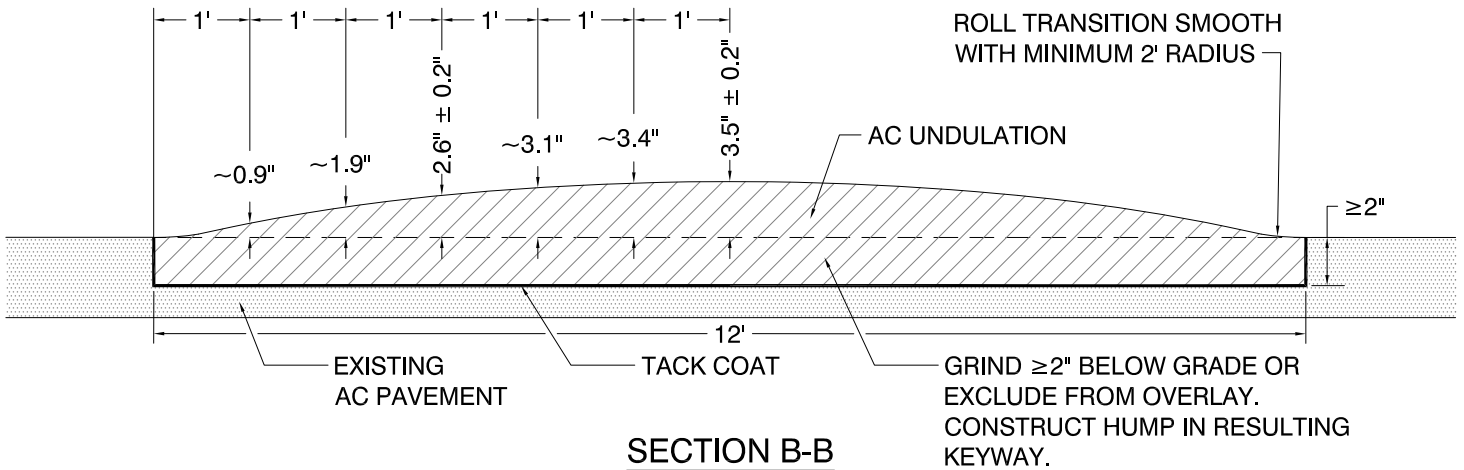
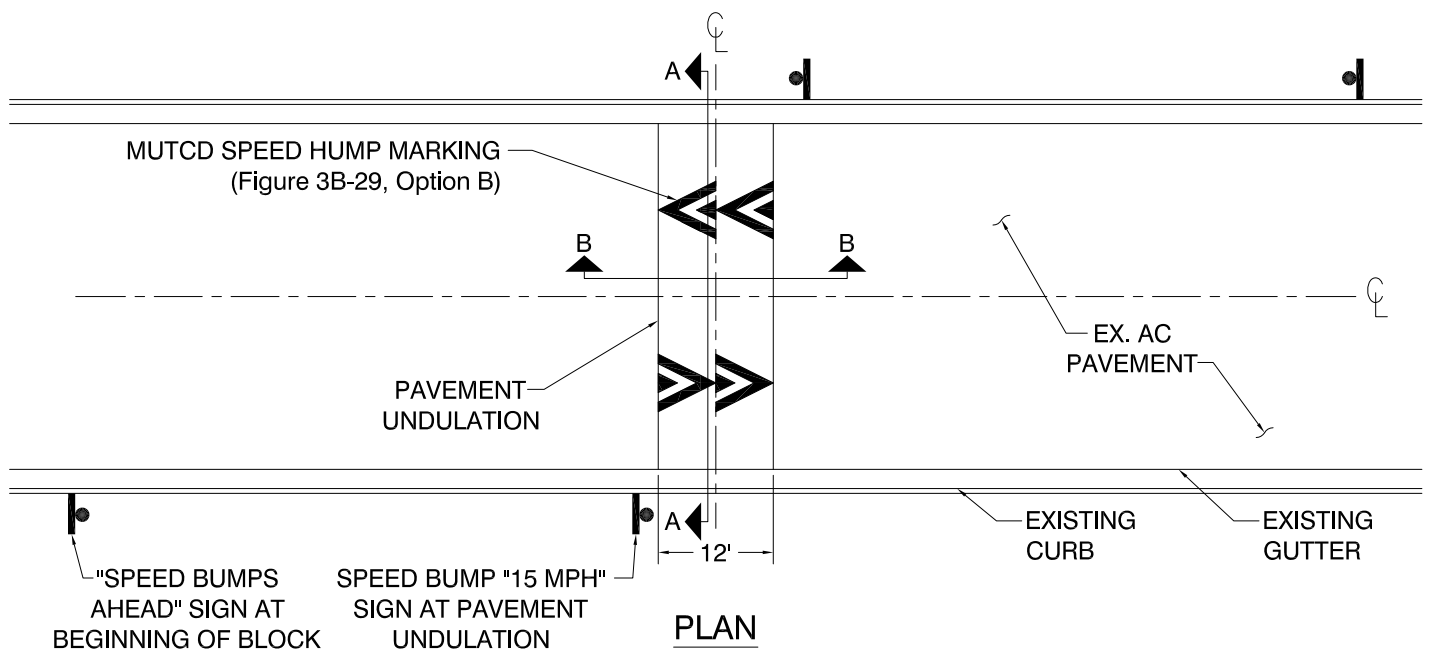


SECTION A-A



SECTION B-B



PLAN



CITY OF OAKLAND

BUREAU OF ENGINEERING AND CONSTRUCTION
 BICYCLE FACILITIES PROGRAM
 250 FRANK H. OGAWA PLAZA, SUITE 4344 * OAKLAND CA, 94612
 (510) 238-3466 * FAX (510) 238-7415

PAVEMENT UNDULATION
 Speed Bump for Bikeway and
 Street Rehabilitation Projects

**TRAFFIC CALMING
 DETAILS**

SCALE: NOT TO
 SCALE

DWG. NO.

DATE: SEP 2016

TC-1